

# Pole Mounting Bracket WA080



Reliable Bracket System designed for securely mounting enclosures on both round and square poles. It is suitable for up to 600mm-wide enclosures and can be adapted for smaller enclosures by cutting the mounting rail to the required length.

## Application:

- Suitable for round poles with diameters ranging from 75mm to 150mm
- square poles sized 75x75mm to 130x130mm

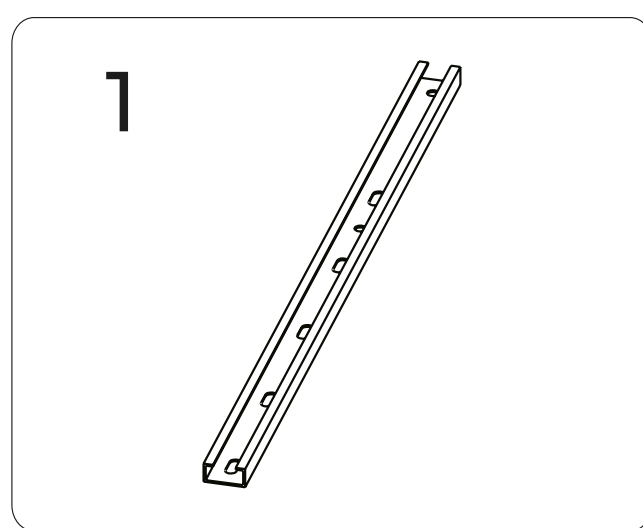
## Material:

- Mounting rail : 1.5 mm galvanized steel
- Other components: 304 Stainless steel

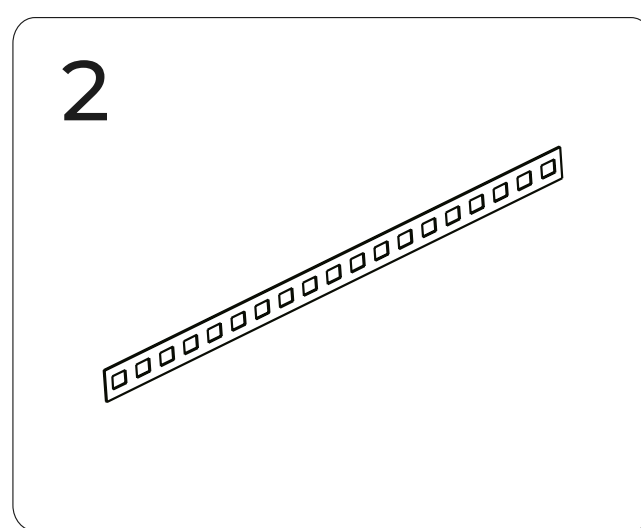
## Supply includes:

- 2x 600mm-long mounting rails
- 2x Clamping straps
- 4x Clamping profiles
- 4x Clamping Brackets
- 4x rail nuts
- 4x M8 screws
- 4x M8 nuts

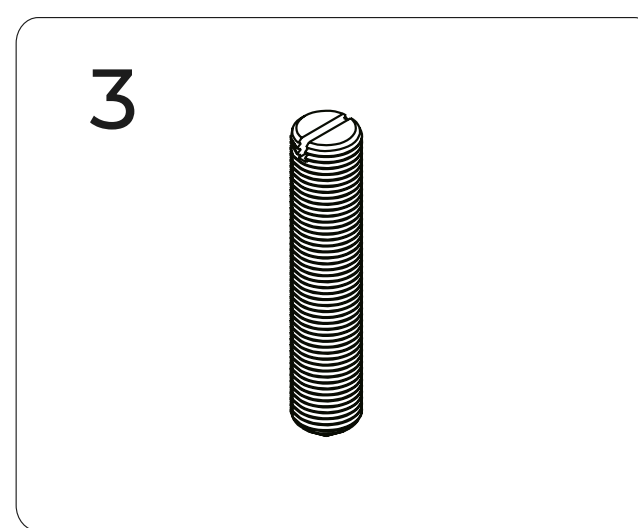
## Parts List



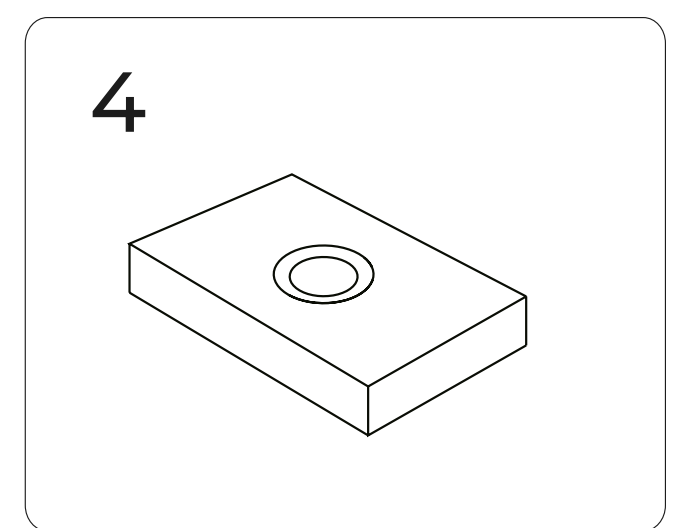
2x Mounting Rail



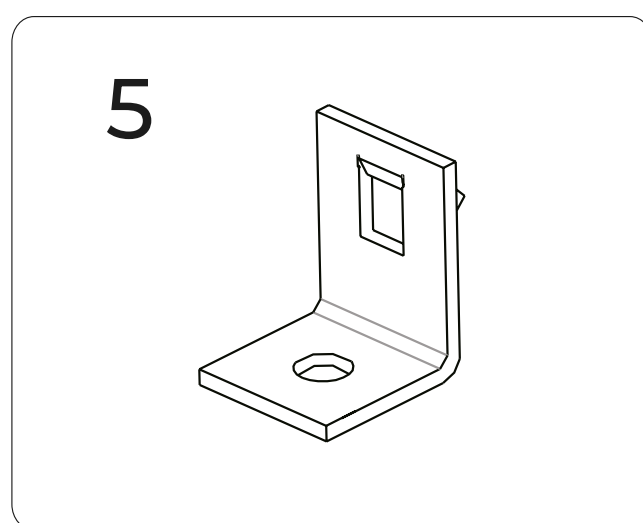
2x Straps



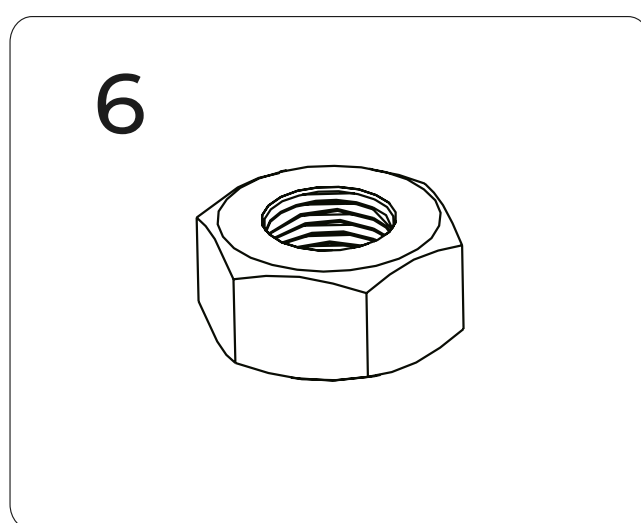
4x M8 Screws



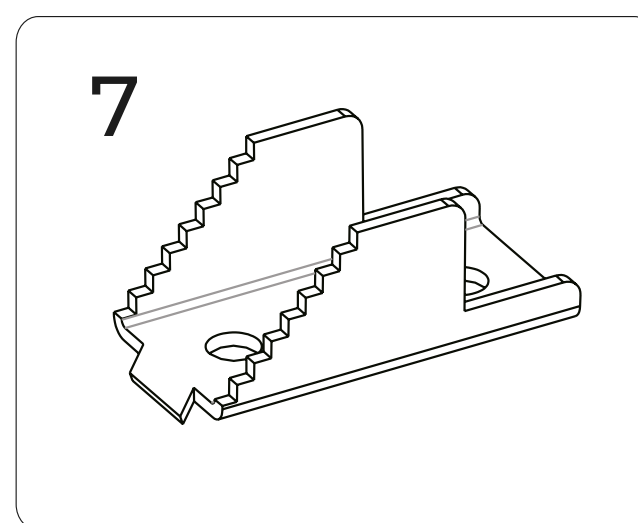
4x Rail Nuts



4x Clamping Brackets



4x M8 Nuts



4x Clamping Profiles

# Installation Instructions

