



QUALITY WITHIN REACH



Siemens APT founded in 1993, is China's leading manufacturer of low-voltage control components and the industry standards drafting unit of China's push-button switch and indicator light. In August 2008, APT was merged into Siemens Group as a Siemens company.

M22 Series Pushbuttons



02 72301357
elekronbaal.com.au

COMPLIANCE			PRODUCT CERTIFICATION
GB/T 14048.1	GB/T 14048.5	IEC60947-5-1	CE / CCC / CQC

PERFORMANCE SPECIFICATION

Pollution grade	Level 3
Mechanical endurance	General pushbutton, mushroom pushbutton, pushbutton with light, 3 million times E-stop pushbutton, key switch 50,000 times
Action frequency	1,200 times / hour
Electrical endurance	500,000 times Lowest load: DC24V 5mA
Ambient temperature	Operating temperature -25°C to 70°C Storage & transport temperature -40°C to 80°C
Protection class	IP65
Anti-impact class	Duration 11ms Maximum acceleration 15g Compliant with IEC60068 2-27
Anti-vibration class	Maximum acceleration 5g Frequency range 10- 500Hz Compliant with IEC60068 2-6



CONTACT CAPACITY

Rated insulation voltage	600V 50Hz
Power frequency withstand voltage	AC 1890V 50Hz·1min
Conventional thermal current	10A

Use category	Rated operating voltage Ue	Rated operating current Ie					
		24V	48V	110V	220V	380V	440V
AC12- (AC resistive load)	Rated operating current Ie	10A	-	10A	10A	10A	10A
AC15- (AC inductive load)		6A	-	6A	6A	4A	4A
DC12- (DC resistive load)		10A	8A	3.5A	1A	-	-
DC13- (DC inductive load)		6A	4A	1.2A	0.4A	-	-

* NC contact is Positive opening

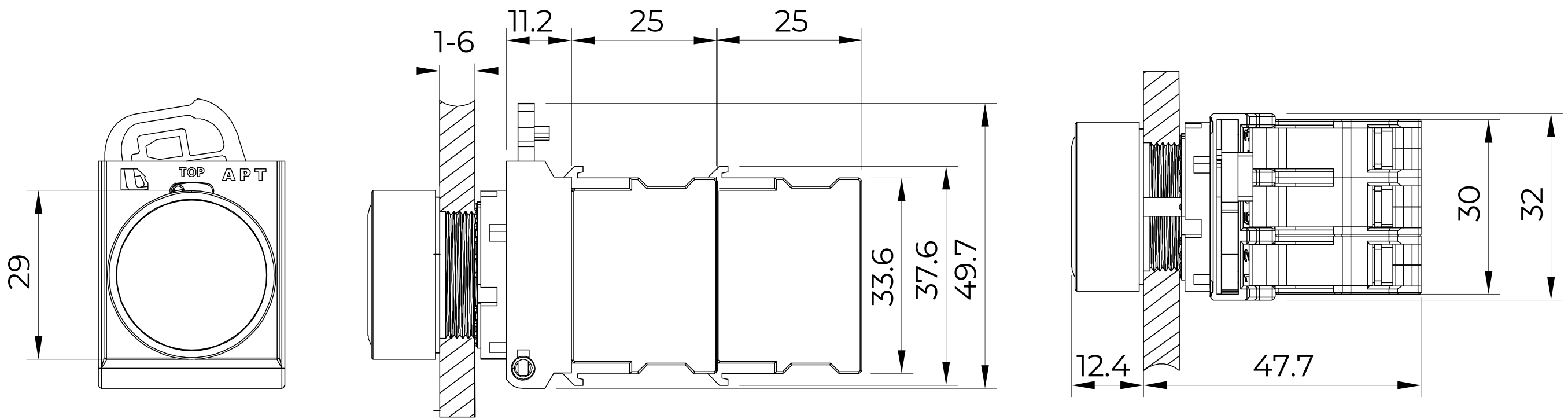
Ratings of light-emitting components

Voltage code	22	23	28
Voltage (V)	AC/DC 12V	AC/DC 24V	AC/DC 220V
Current (mA)	≤ 30mA	≤ 20mA	≤ 20mA

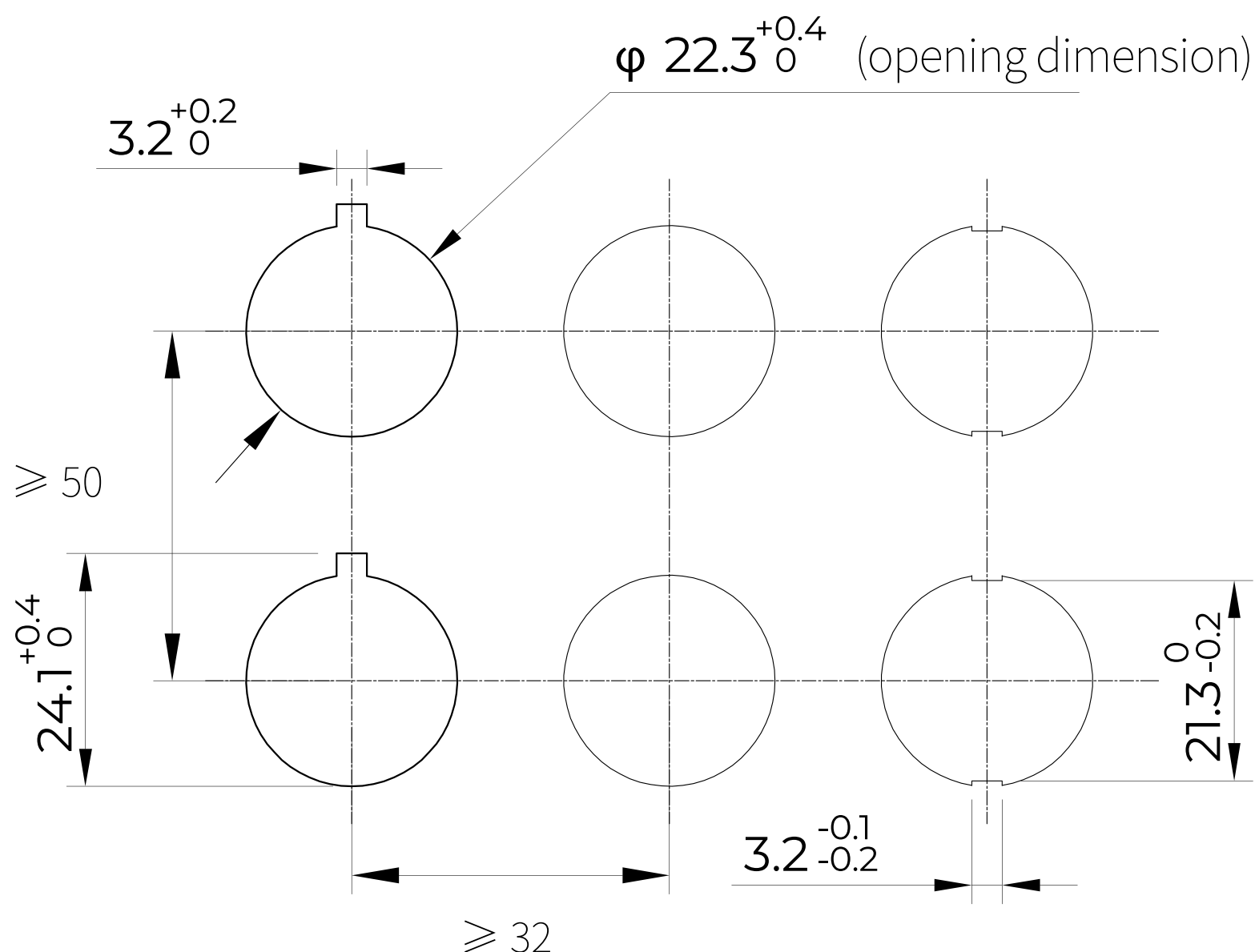
Pushbutton: Flat Head

APPEARANCE	ACTUATION	CONTACT TYPE	COLOR	PART NUMBER
	Momentary type	<p>1X 1X</p> <p>NO NC</p>		PB3N-FM0S11S00/R00
				PB3N-FM0S11S00/G00
				PB3N-FM0S11S00/Y00
				PB3N-FM0S11S00/B00
				PB3N-FM0S11S00/W00
				PB3N-FM0S11S00/K00
				PB3N-FM0S11S33/w00
				PB3N-FM0S11S35/g00
				PB3N-FM0S11S36/r00




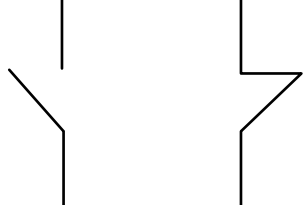


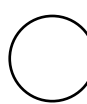



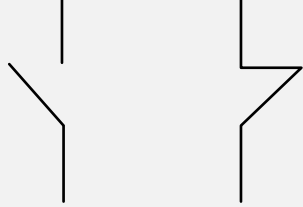



Dimensions: unit (mm)



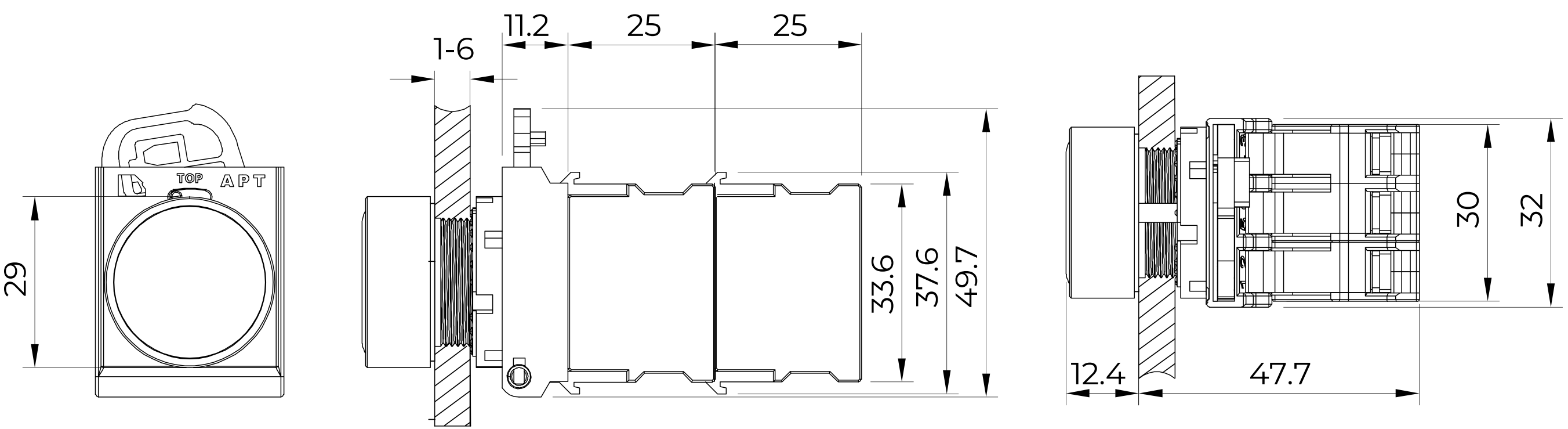
Minimum mounting distance: unit (mm)



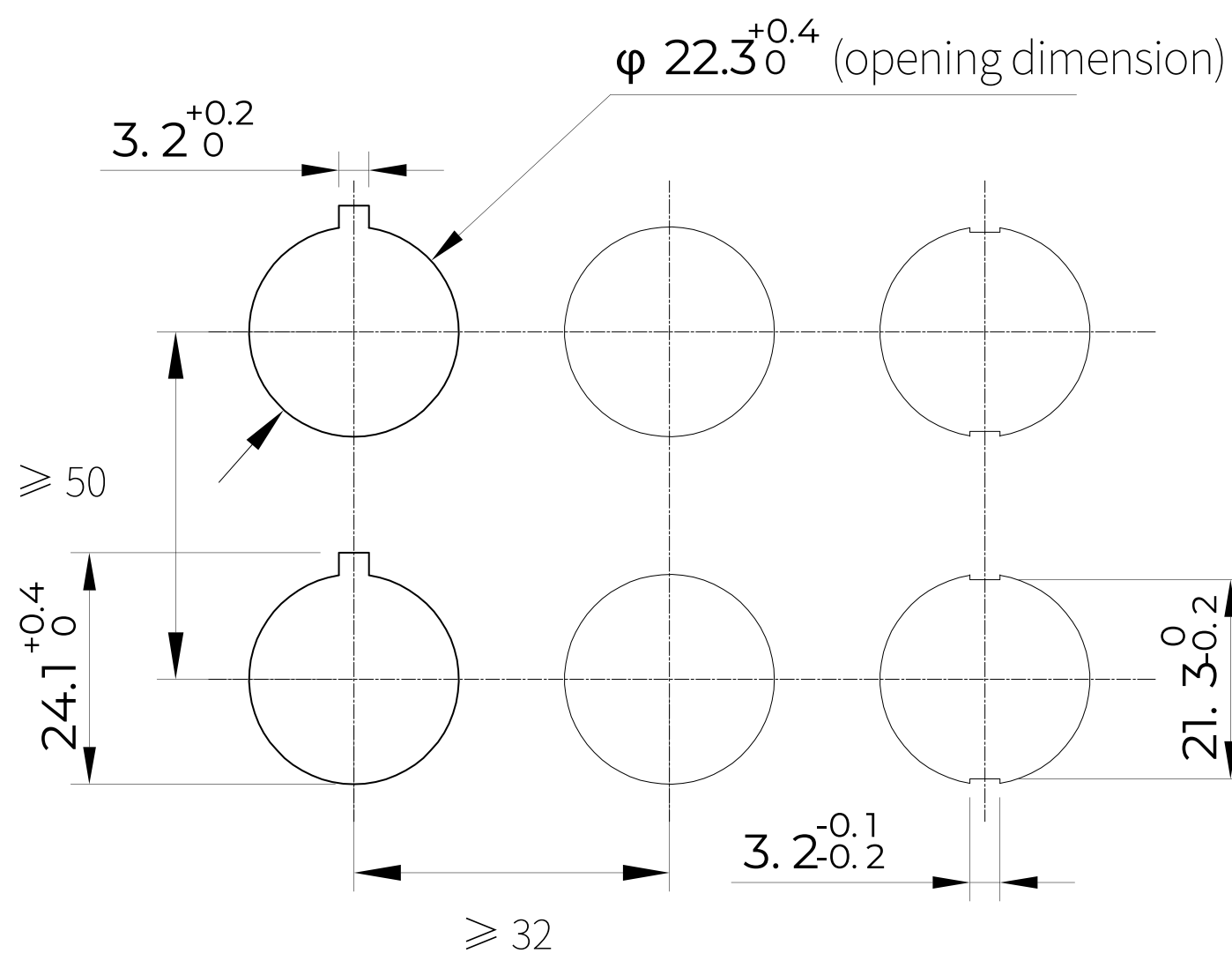
Illuminated Pushbutton

APPEARANCE	ACTUATION	LIGHT VOLTAGE	CONTACT TYPE	COLOR	PART NUMBER
	Momentary type	24V AC/DC			PB3N-FM1S11S00/R23
		24V AC/DC	1X 1X		PB3N-FM1S11S00/G23
		24V AC/DC			PB3N-FM1S11S00/Y23
		24V AC/DC	NO NC		PB3N-FM1S11S00/B23
		24V AC/DC			PB3N-FM1S11S00/W23
	Momentary type	220V AC/DC			PB3N-FM1S11S00/R28
		220V AC/DC	1X 1X		PB3N-FM1S11S00/G28
		220V AC/DC			PB3N-FM1S11S00/Y28
		220V AC/DC	NO NC		PB3N-FM1S11S00/B28
		220V AC/DC			PB3N-FM1S11S00/W28


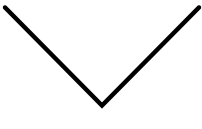
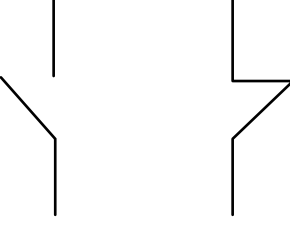
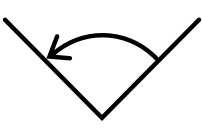


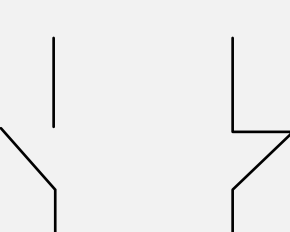

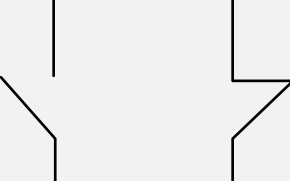
Dimensions: unit (mm)



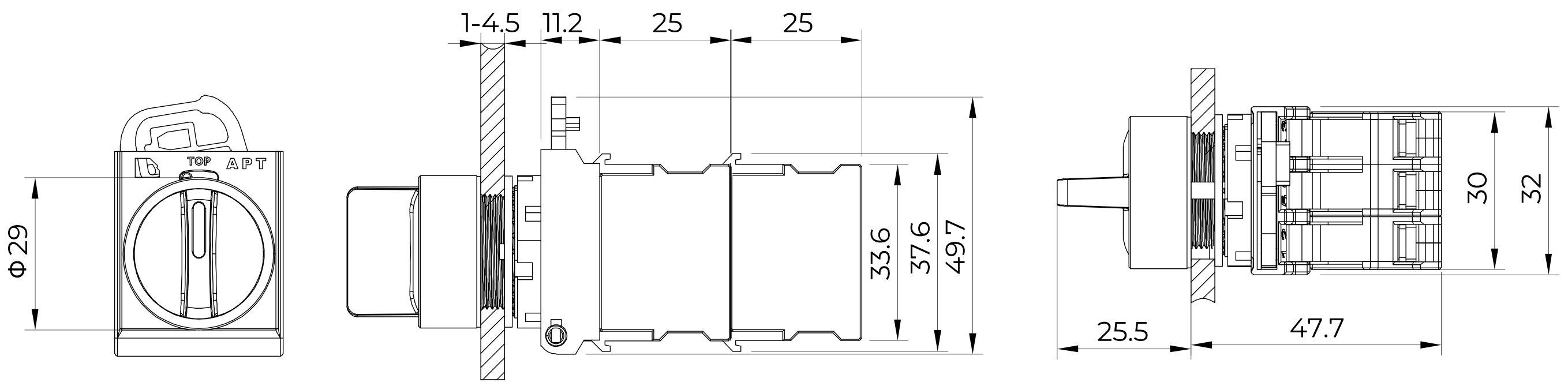
Minimum mounting distance: unit (mm)



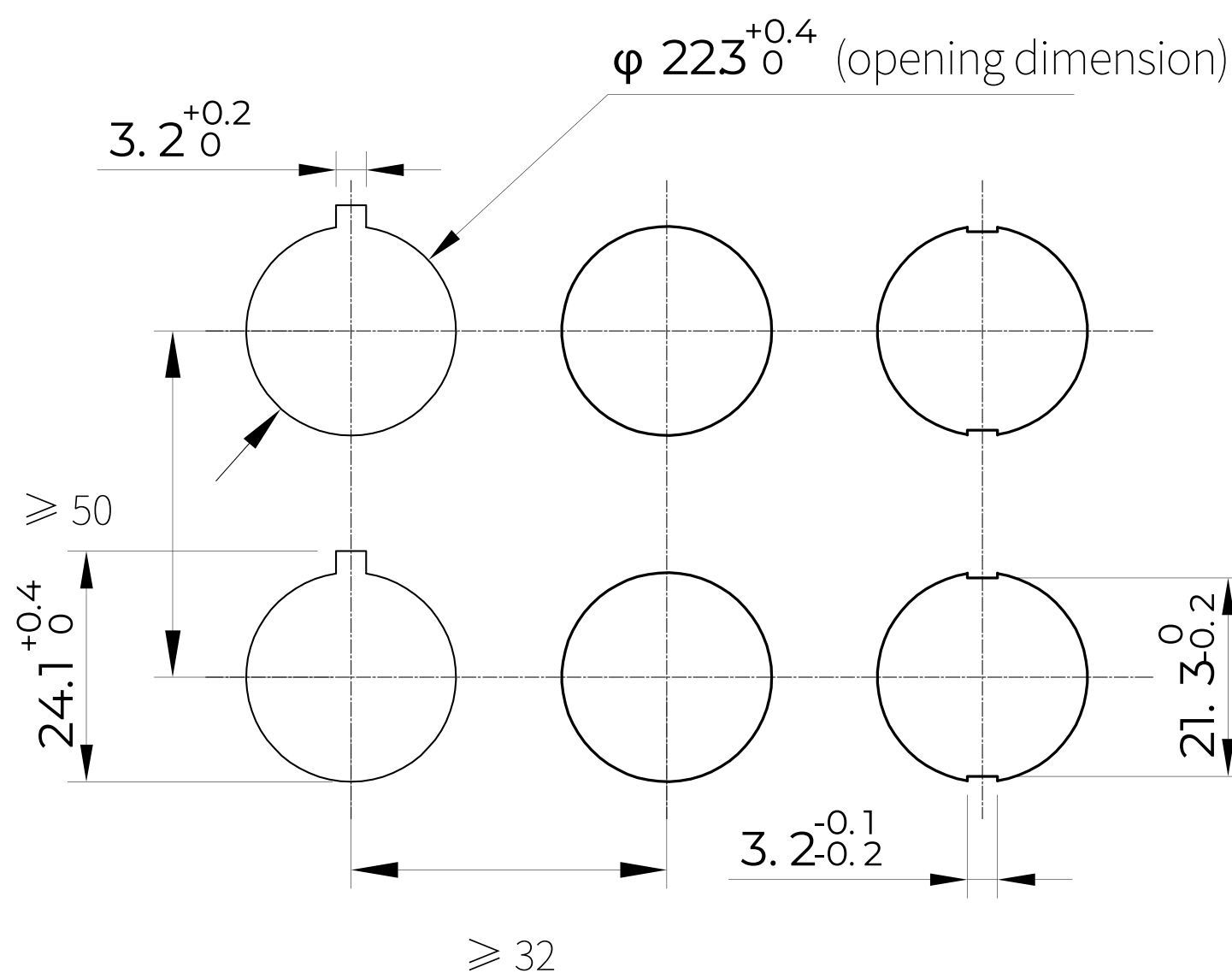
Selector Switch

APPEARANCE	PRODUCT TYPE	HANDLE POSITION	CONTACT TYPE	PART NUMBER
	2position, °90	Stay Put 	1X 1X 	PB3N-X20S11S/K00M
		Spring Return 	NO NC 	PB3N-X20S11S/K00FU
	3position, °60	Stay Put 	1X 1X 	PB3N-X30S11S/K00M
		Spring Return 	NO NC 	PB3N-X30S11S/K00FFU

Dimensions: unit (mm)



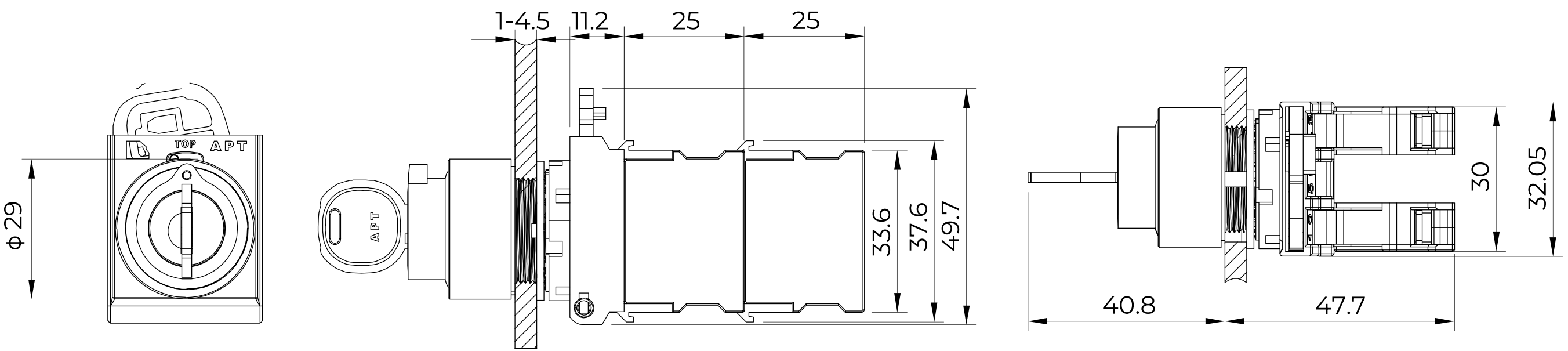
Minimum mounting distance: unit (mm)



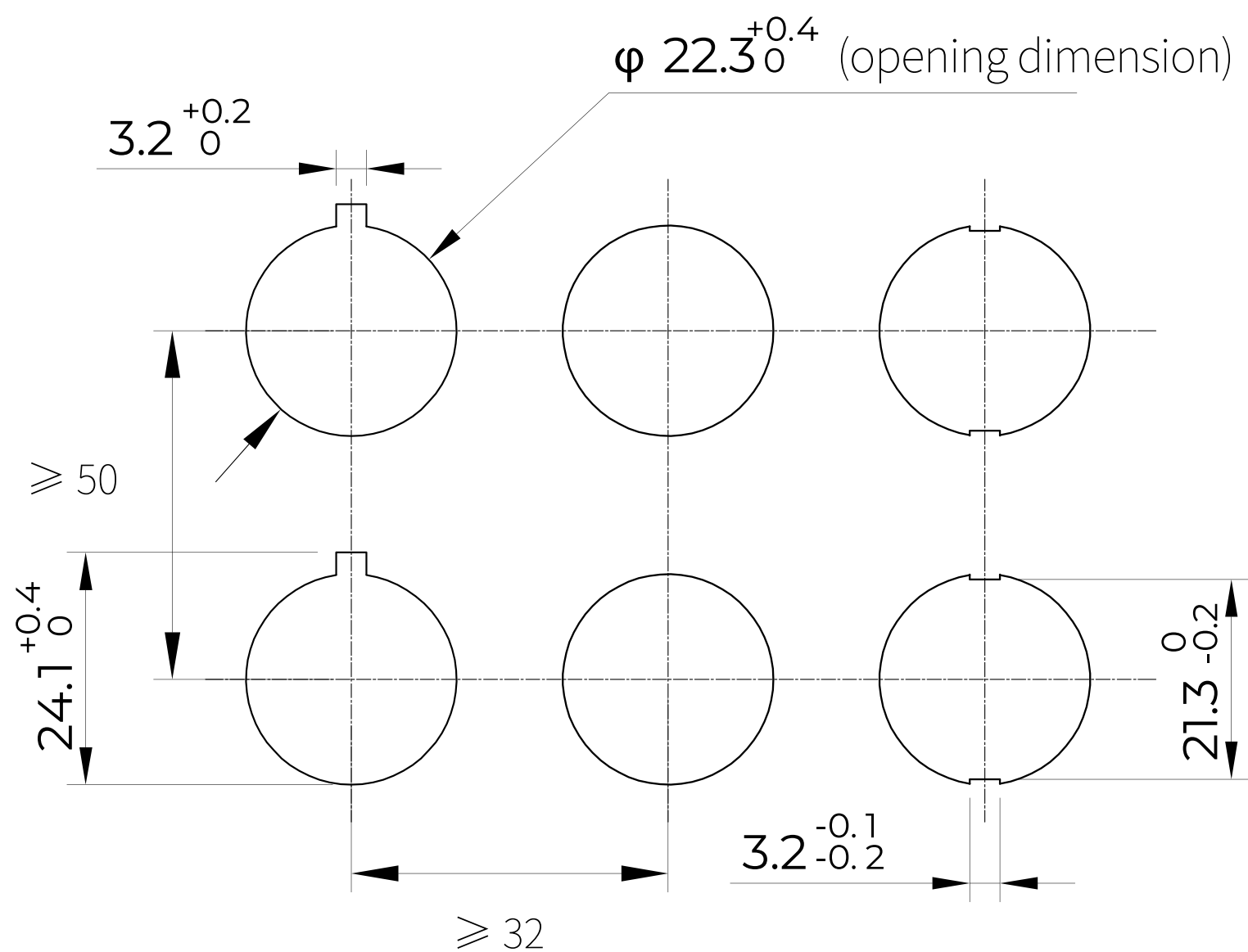
Key Selector Switch

APPEARANCE	PRODUCT TYPE	HANDLE POSITION	CONTACT TYPE	KEY PULLOUT POSITION	PART NUMBER
	2position, °90	Stay Put 	1X 1X 	ANY	PB3N-Y2S11/EM
		Spring Return 	NO NC 	LEFT	PB3N-Y2S11/LFU
	3position, °60	Stay Put 	1X 1X 	ANY	PB3N-Y3S11/EM
		Spring Return 	NO NC 	CENTER	PB3N-Y3S11/CFFU


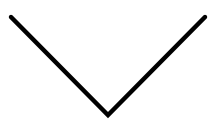
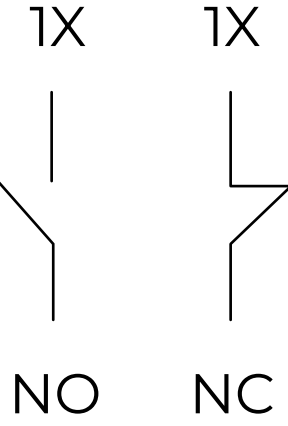
Dimensions: unit (mm)



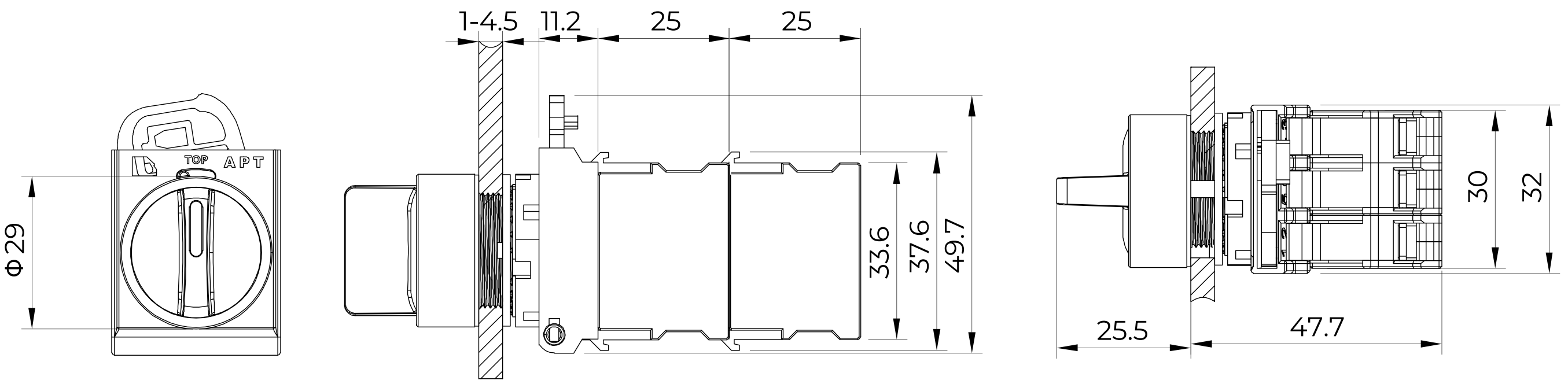
Minimum mounting distance: unit (mm)



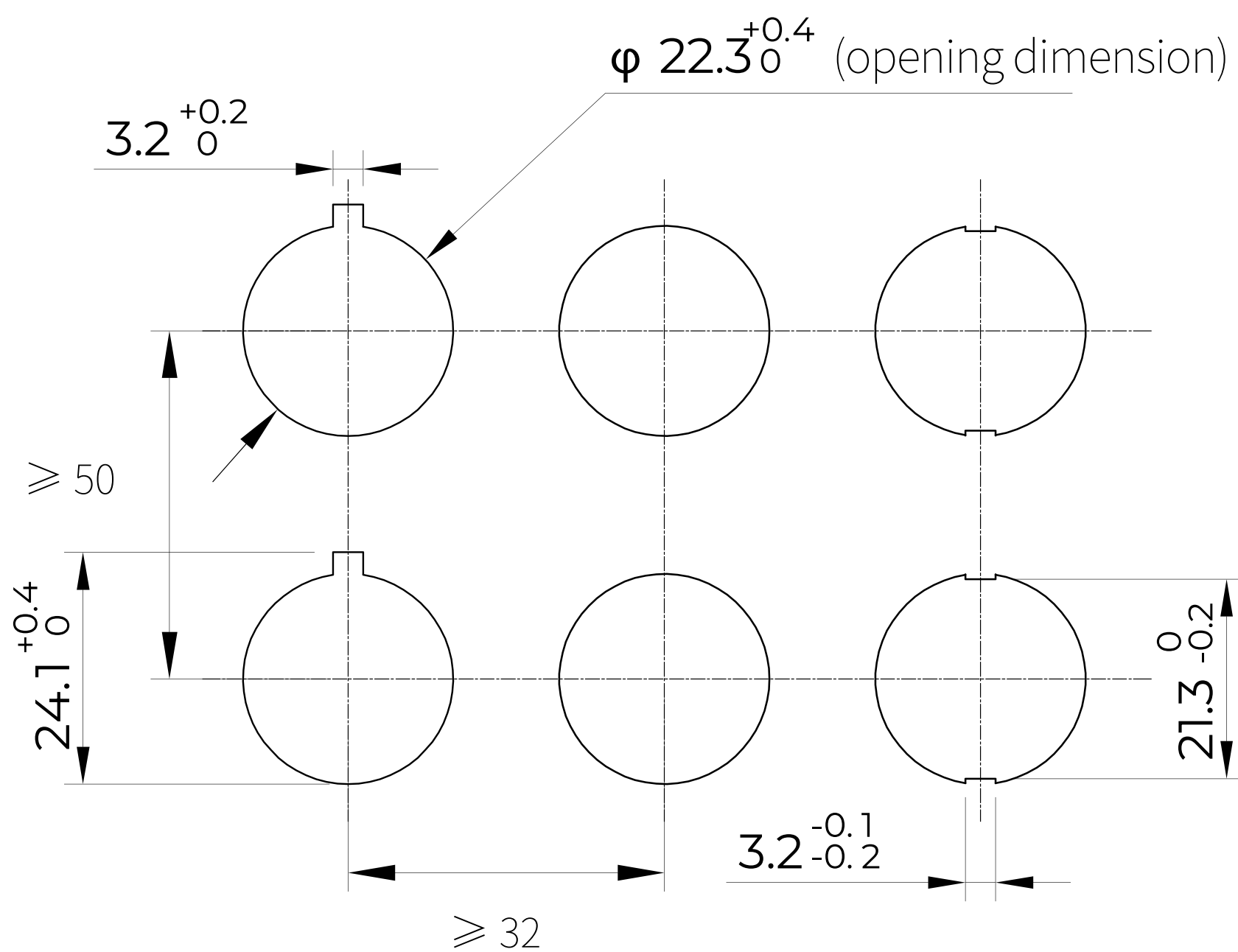
Illuminated Selector Switch

APPEARANCE	PRODUCT TYPE	HANDLE POSITION	LIGHT VOLTAGE	CONTACT TYPE	COLOR	PART NUMBER
	2position, °90	Stay Put 	24V AC/DC		●	PB3N-X21S11S/R23M
					●	PB3N-X21S11S/G23M
					●	PB3N-X21S11S/Y23M
					●	PB3N-X21S11S/B23M
					○	PB3N-X21S11S/W23M

Dimensions: unit (mm)



Minimum mounting distance: unit (mm)



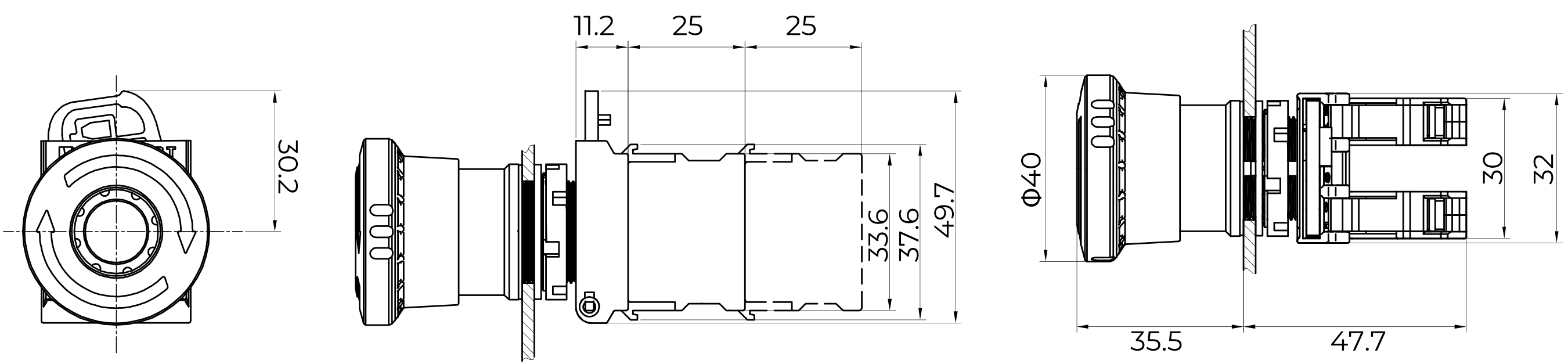
E-Stop Pushbutton

APPEARANCE	OPERATION TYPE	CONTACT TYPE	COLOR	PART NUMBER
	Twist release	1X 1X NO NC		PB3E-ZR40S11/r00

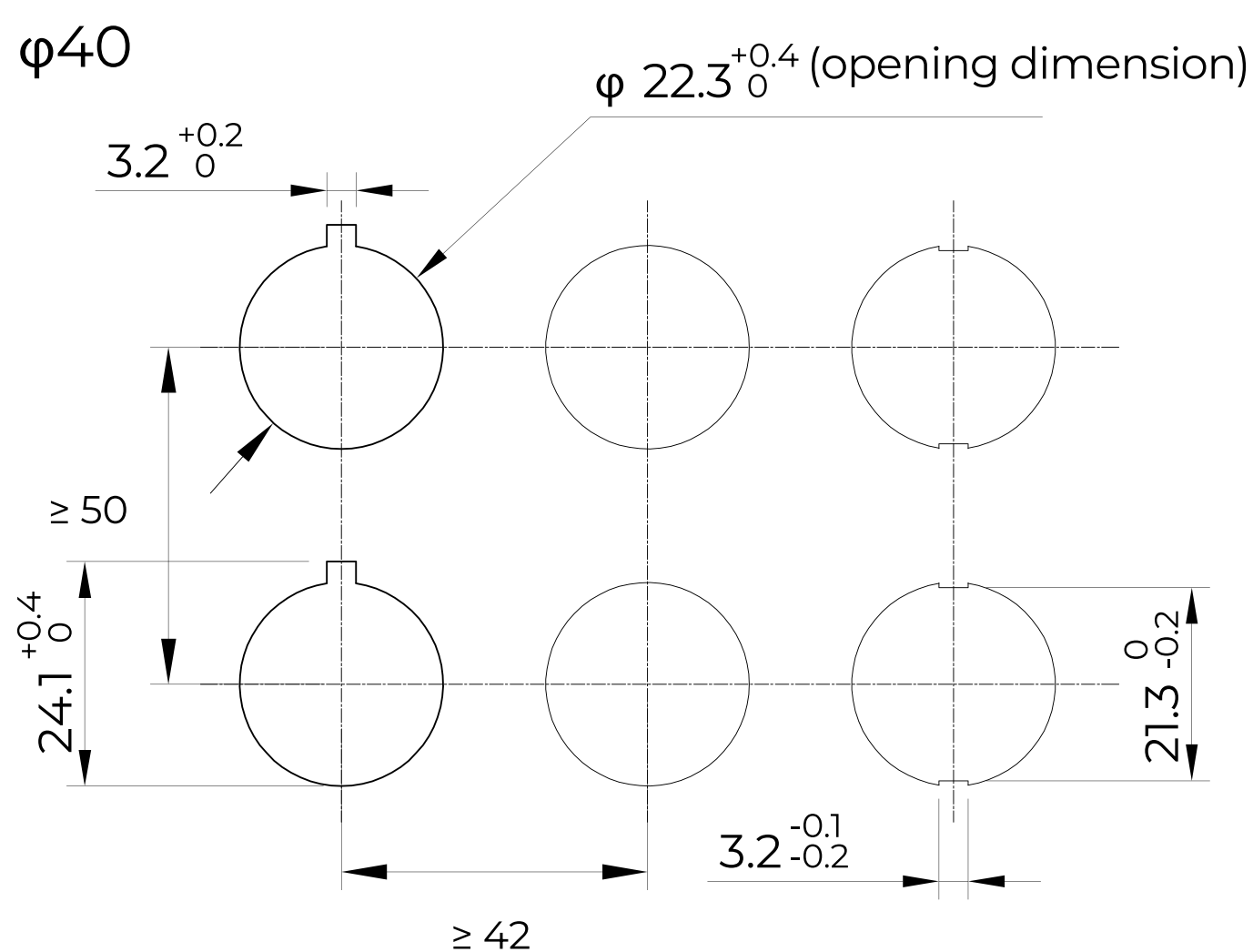
Illuminated E-Stop Pushbutton

APPEARANCE	OPERATION TYPE	CONTACT TYPE	COLOR	LIGHT COLOR/ VOLTAGE	PART NUMBER
	Twist release	1X 1X NO NC		RED 24V AC/DC	PB3N-ZR41S11/R23
				RED 220V AC/DC	PB3N-ZR41S11/R28



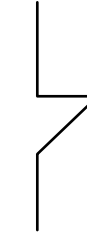

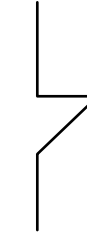


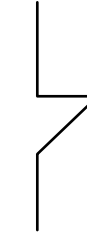
Dimensions: unit (mm)



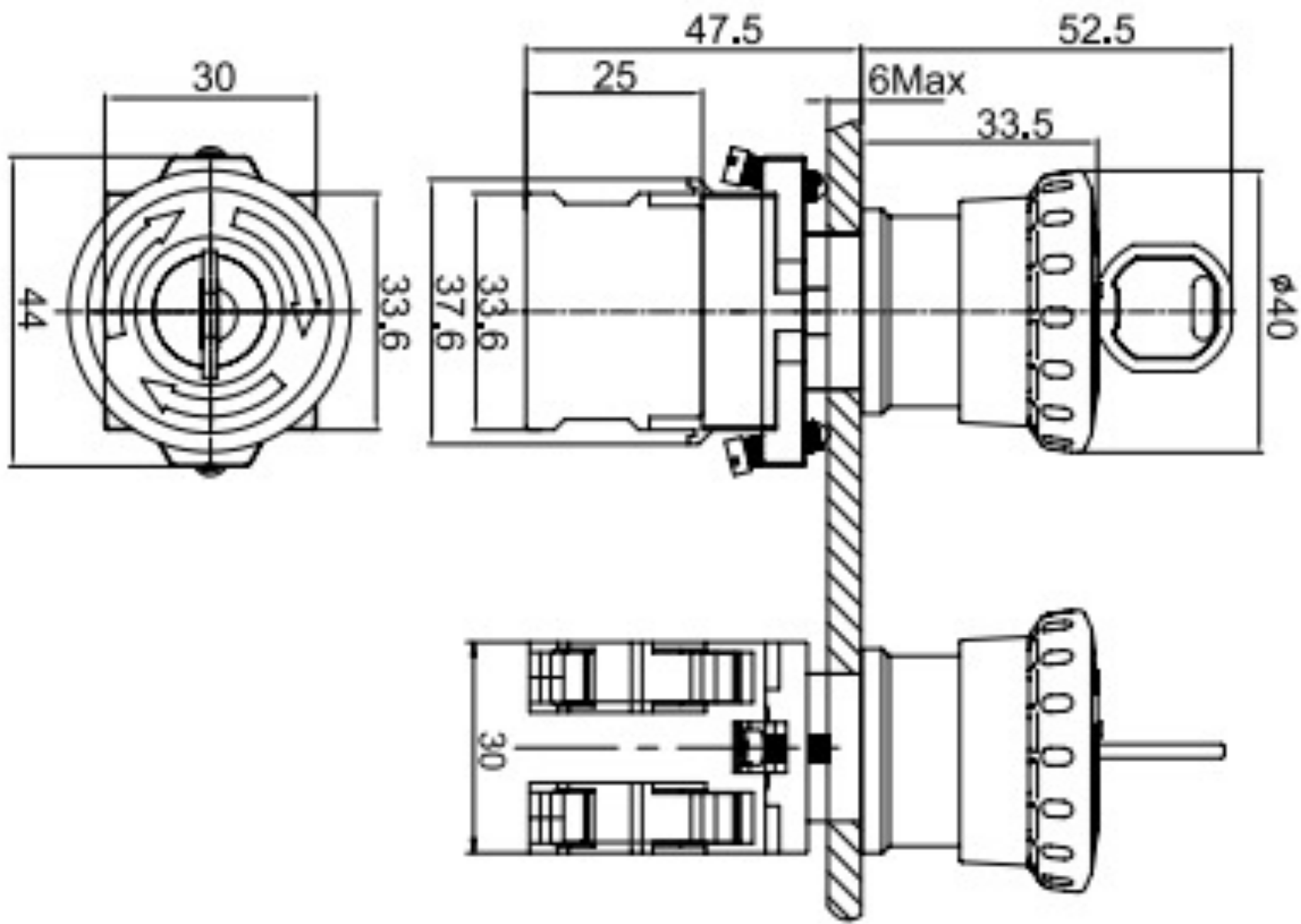
Minimum mounting distance: unit (mm)



Key Release E-Stop

APPEARANCE	OPERATION TYPE	CONTACT TYPE	COLOR	PART NUMBER						
	Key release	<table border="0"> <tr> <td>1X</td> <td>1X</td> </tr> <tr> <td></td> <td></td> </tr> <tr> <td>NO</td> <td>NC</td> </tr> </table>	1X	1X			NO	NC		PB1S-11ZY/R
1X	1X									
										
NO	NC									

Dimensions: unit (mm)



E-Stop Label




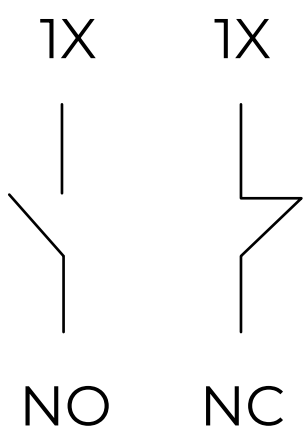

60 DIA

-

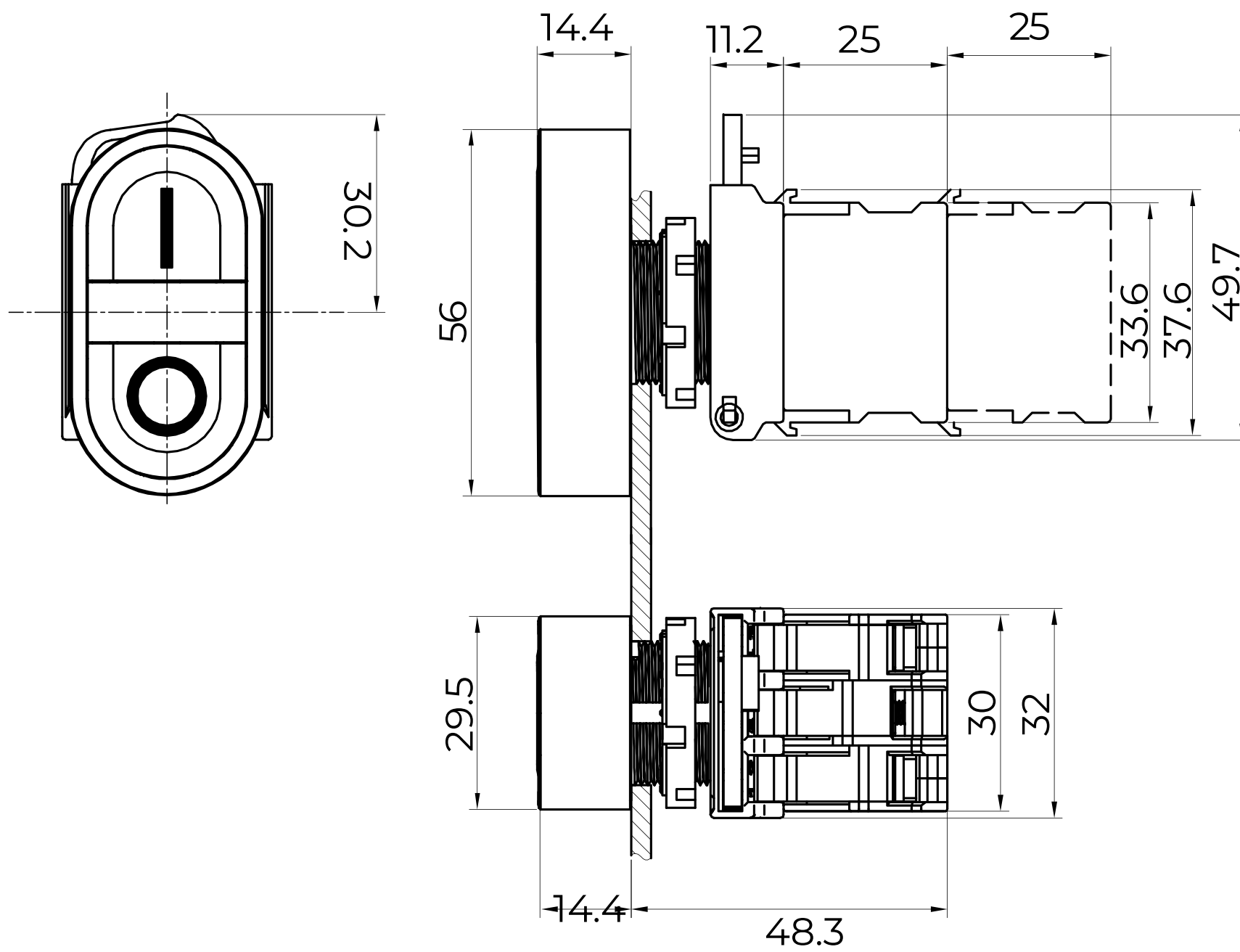
PARTNUMBER F13-60



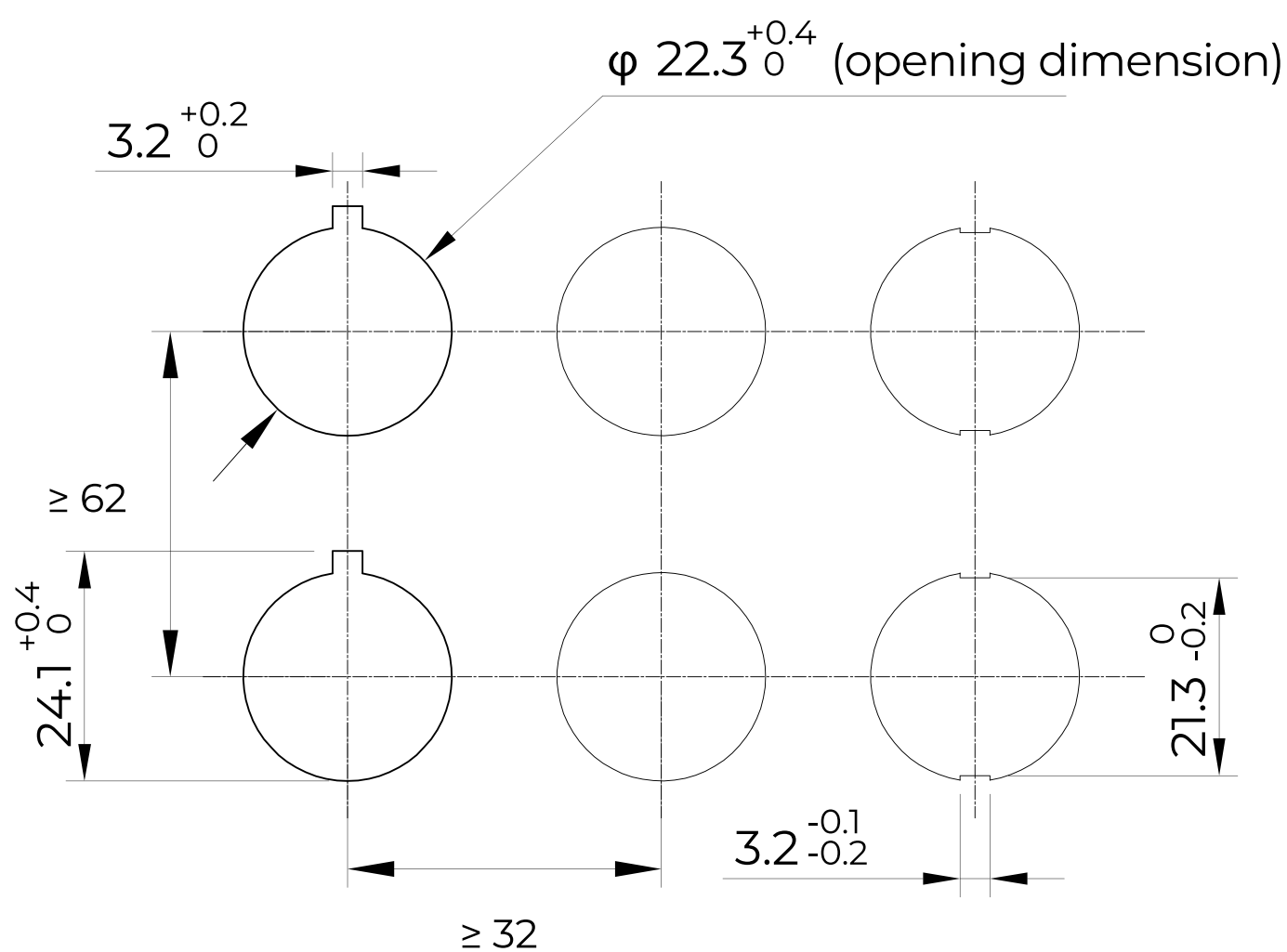
Flat Twin Pushbutton

APPEARANCE	ACTUATION	CONTACT TYPE	COLOR	PART NUMBER
	<p>Momentary type</p>	<p>1X 1X</p>  <p>NO NC</p>		<p>PB3N-DM0S11FS1/N00</p>






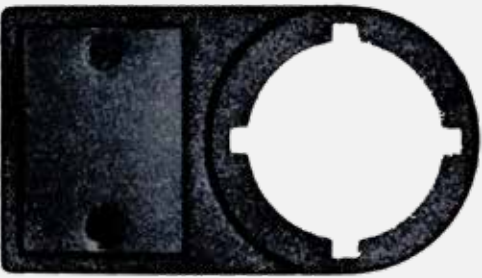

Dimensions: unit (mm)



Minimum mounting distance: unit (mm)



Accessory

APPEARANCE	DESCRIPTION	PART NUMBER
	NO CONTACT	PB-F-CS10
	NC CONTACT	PB-F-CS01
	SILICONE PROTECTION CAP	F1
	E-STOP LABEL	F13-60
	E-STOP PROTECTIVE COVER	PB1-F-PC-B60
	LABEL HOLDER 25X10mm	F11-10
	LABEL HOLDER 25X18mm	F11-18

Pilot lights- IP 66

APPEARANCE & TECHNICAL DRAWING	VOLTAGE	COLOR	PART NUMBER
	220V AC/DC	 	AD22-22DS-R-220 AD22-22DS-G-220 AD22-22DS-Y-220 AD22-22DS-B-220 AD22-22DS-W-220
	24V AC/DC	 	AD22-22DS-R-24 AD22-22DS-G-24 AD22-22DS-Y-24 AD22-22DS-B-24 AD22-22DS-W-24

FLASHING BUZZER- IP40

APPEARANCE & TECHNICAL DRAWING	VOLTAGE	SOUND	LIGHT	COLOR	PART NUMBER
	220V AC/DC	10cm/db INTERMITTENTLY	FLASHING		AD16-22SM/R41
	24V AC/DC				AD16-22SM/R23



QUALITY WITHIN REACH

M22 Series Pushbuttons

APT 

The APT logo symbol is a white circle containing a stylized white graphic of a square with a diagonal line from the top-left corner to the bottom-right corner.

A SIEMENS COMPANY

Siemens APT founded in 1993, is China's leading manufacturer of low-voltage control components and the industry standards drafting unit of China's push-button switch and indicator light.

Focus on the production of push-button switches, indicator lights, cam switches, relays, tower lights, current transformers, control box products, etc.

In August 2008, APT was merged into Siemens Group as a Siemens company.

--

02 72301357
elekronbaal.com.au