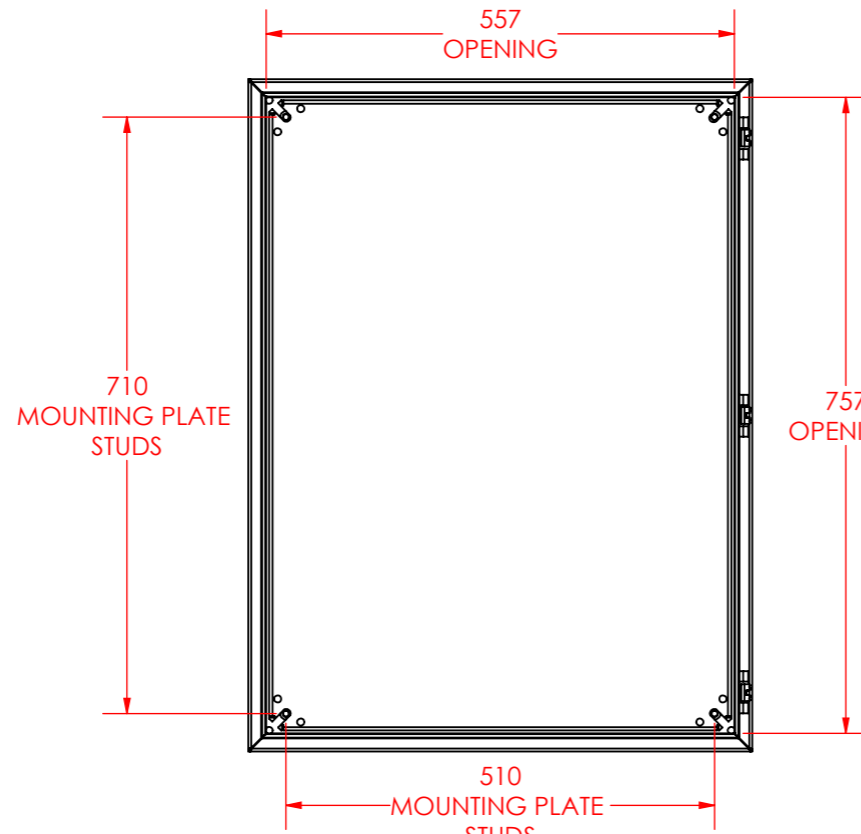
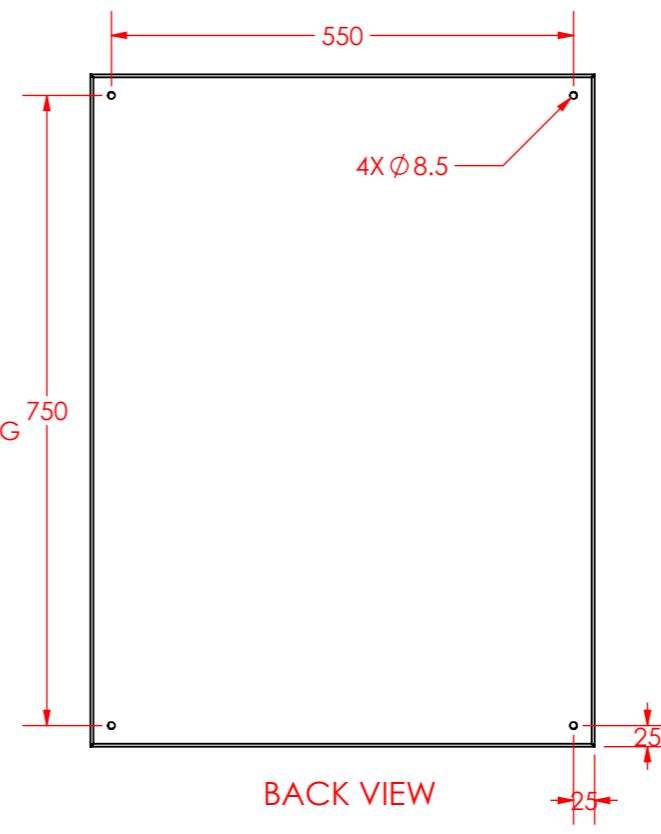


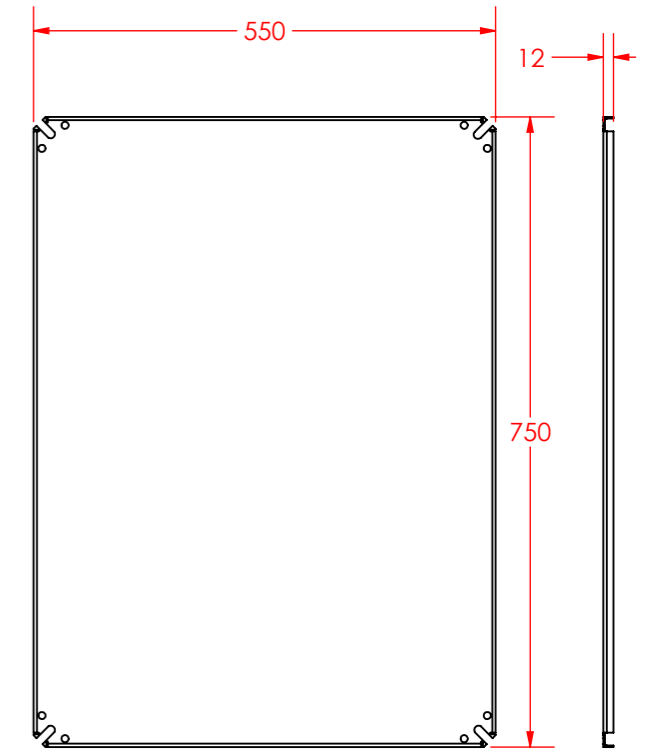
FRONT VIEW



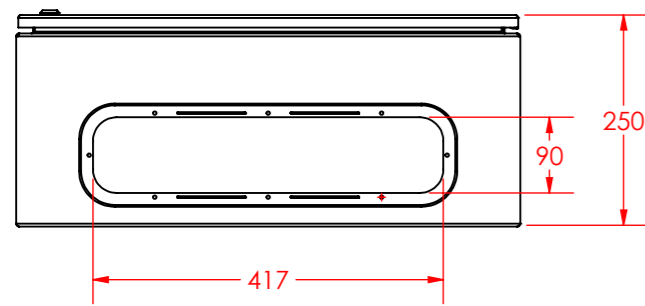
FRONT VIEW WITHOUT DOOR



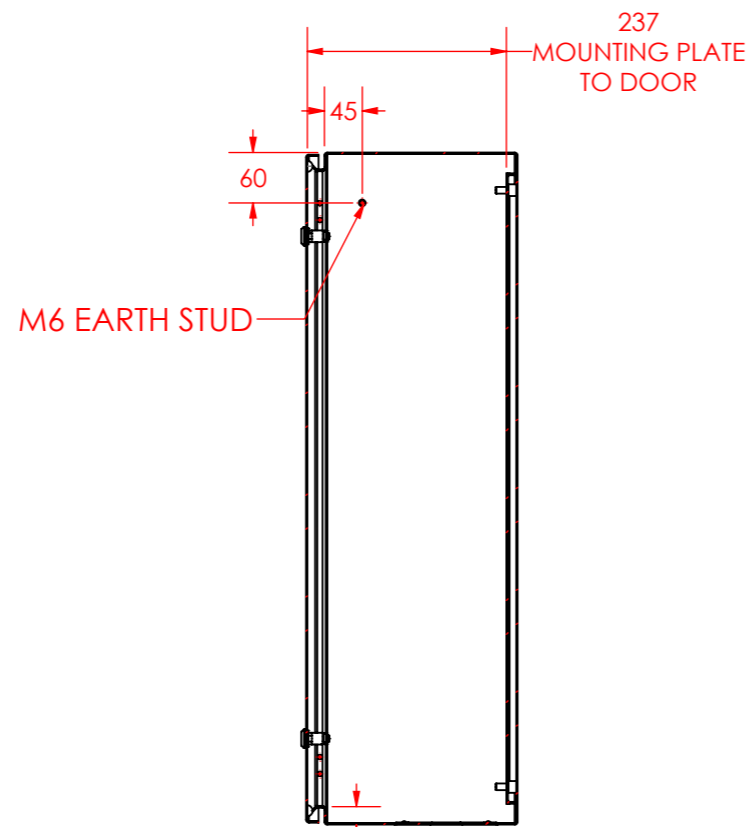
BACK VIEW



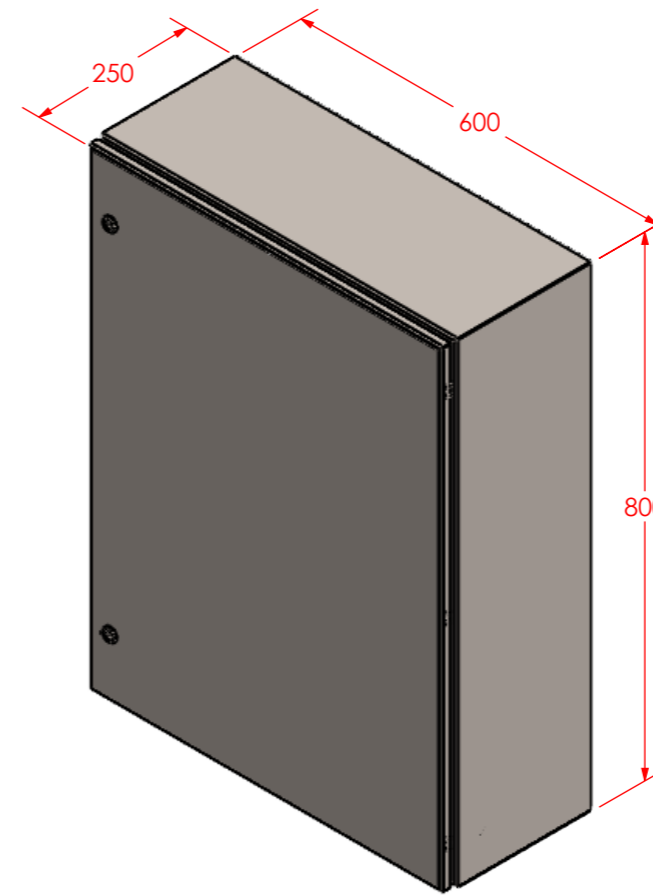
MOUNTING PLATE



BOTTOM VIEW



SECTION A-A
SCALE 1 : 9



MATERIAL
BODY AND DOOR: 1.5MM 316SS
MOUNTING PLATE: 2MM GALVANISED STEEL

	DATE	01/04/2024	800x600x250 STAINLESS STEEL ENCLOSURE	
	DRAWN	E.B		
	REV	A	OSS806025	A3
ALL DIMENSIONS ARE IN MM		WEIGHT		
MATERIAL: 316 STAINLESS STEEL		NOT TO SCALE		SHEET 12 OF 12