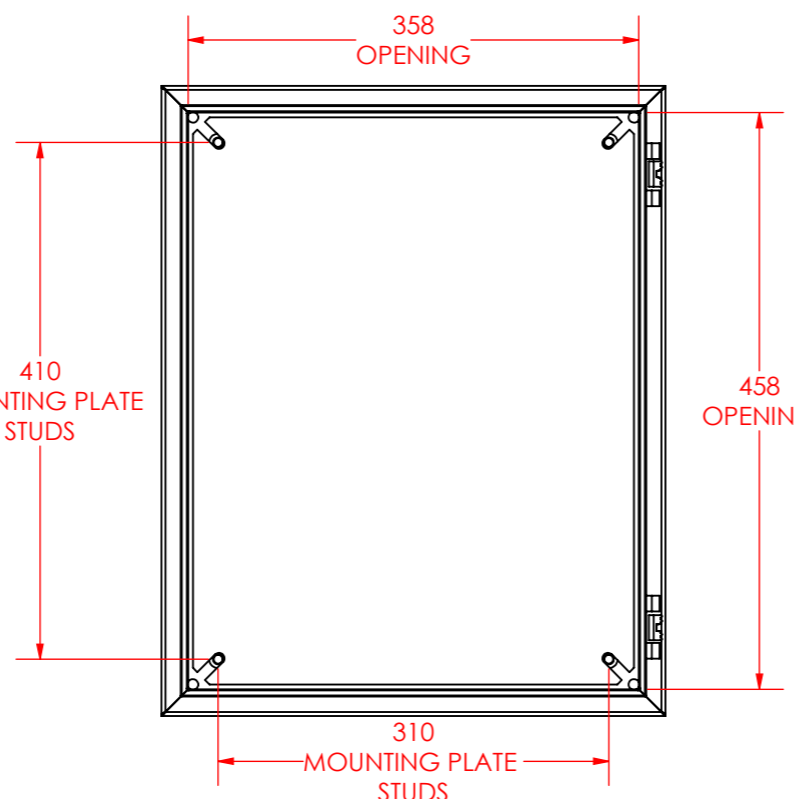
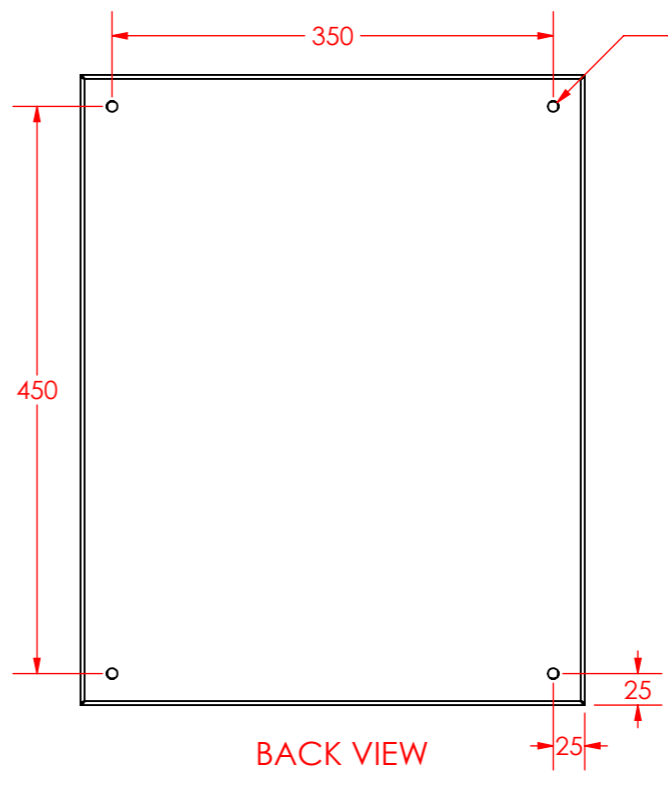


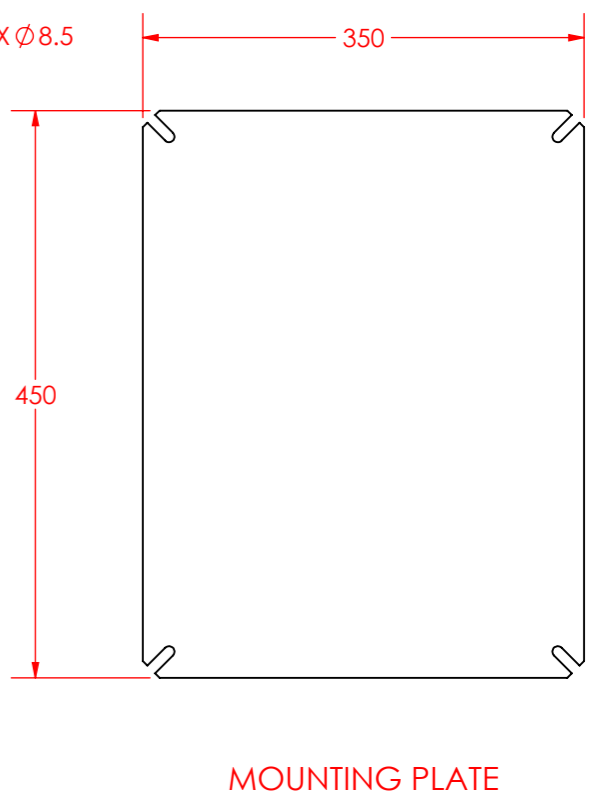
FRONT VIEW



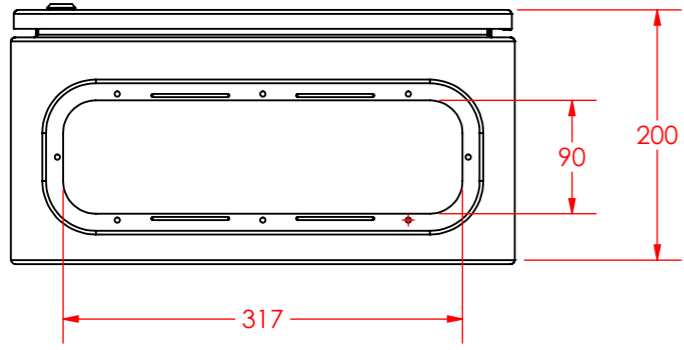
FRONT VIEW WITHOUT DOOR



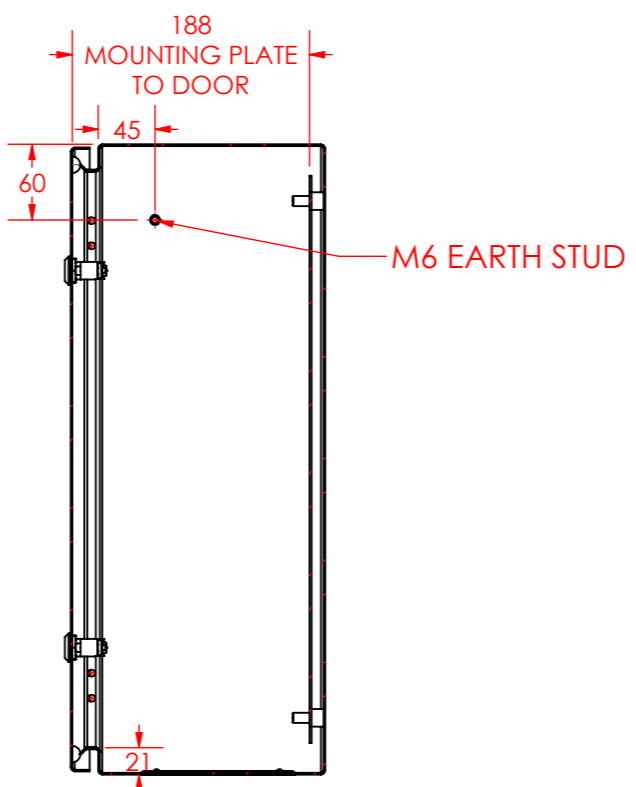
BACK VIEW



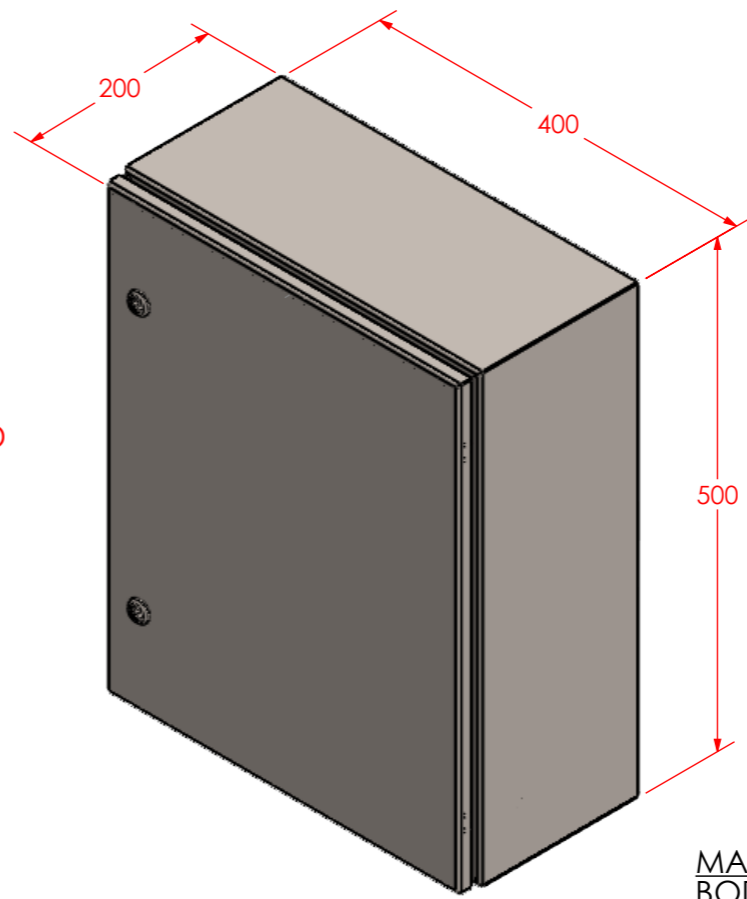
MOUNTING PLATE



BOTTOM VIEW



SECTION A-A SCALE 1 : 6



MATERIAL  
 BODY AND DOOR: 1.2MM 316SS  
 MOUNTING PLATE: 1.5MM GALVANISED STEEL



DATE	01/04/2024	500X400X200 STAINLESS STEEL ENCLOSURE		
DRAWN	E.B			
REV	A			
ALL DIMENSIONS ARE IN MM		WEIGHT 11 KG	OSS504020	A3
MATERIAL: 316 STAINLESS STEEL		NOT TO SCALE		