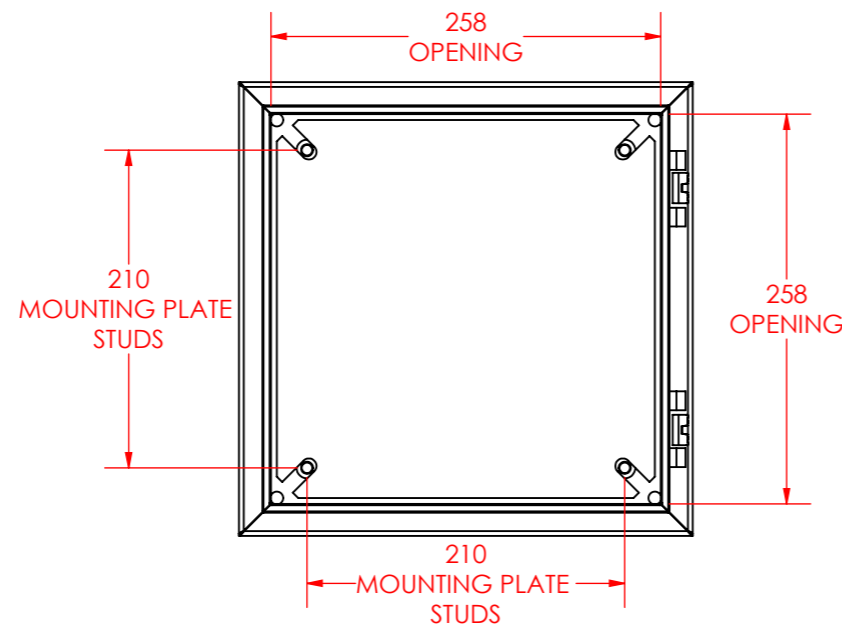
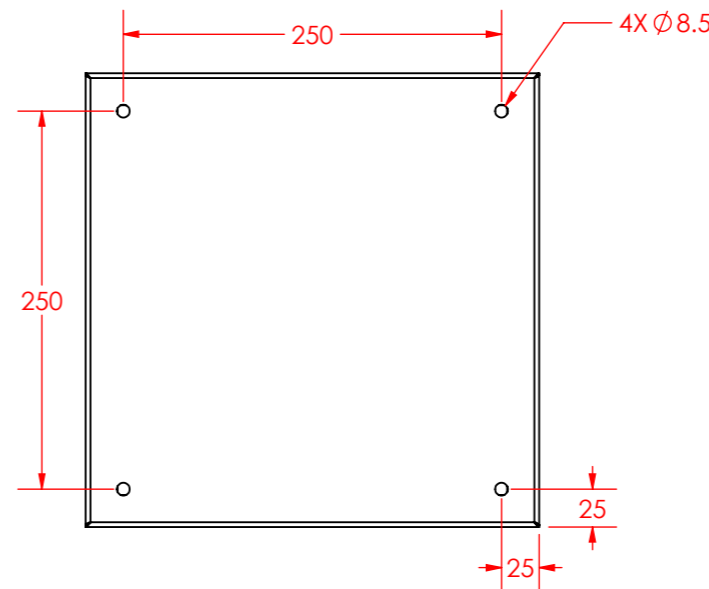


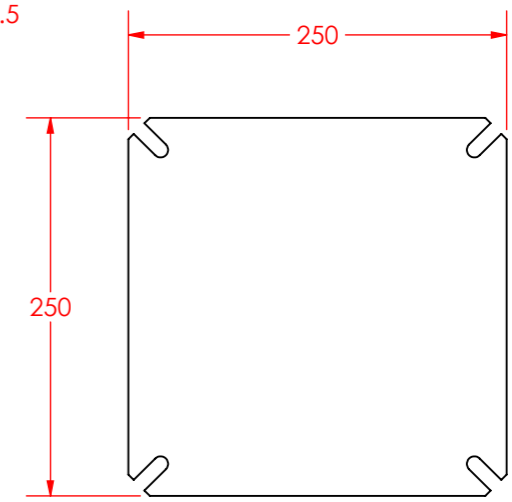
FRONT VIEW



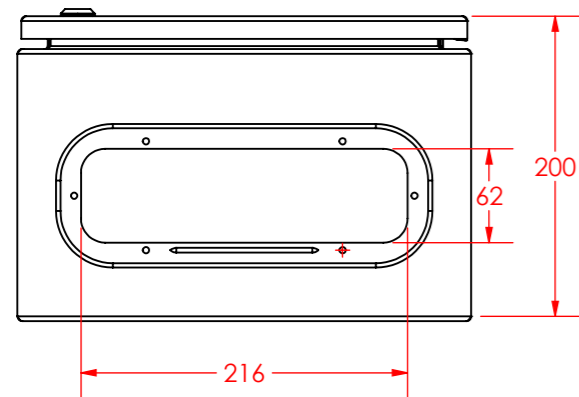
FRONT VIEW WITHOUT DOOR



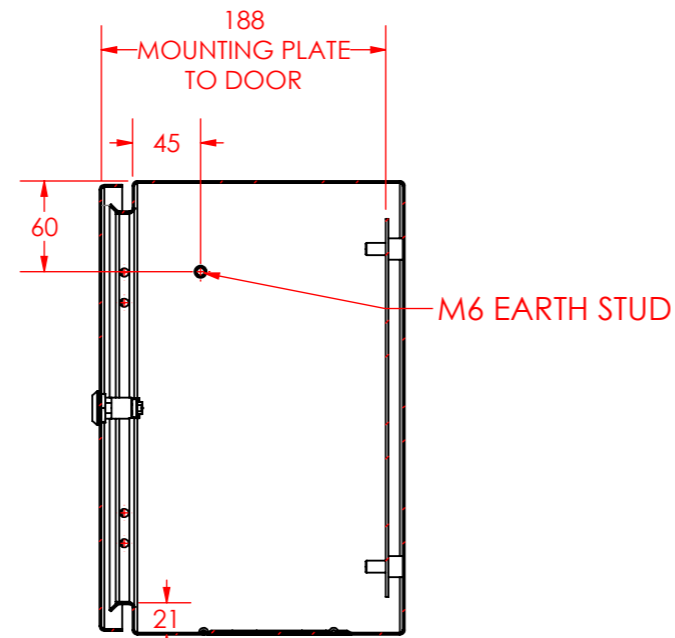
BACK VIEW



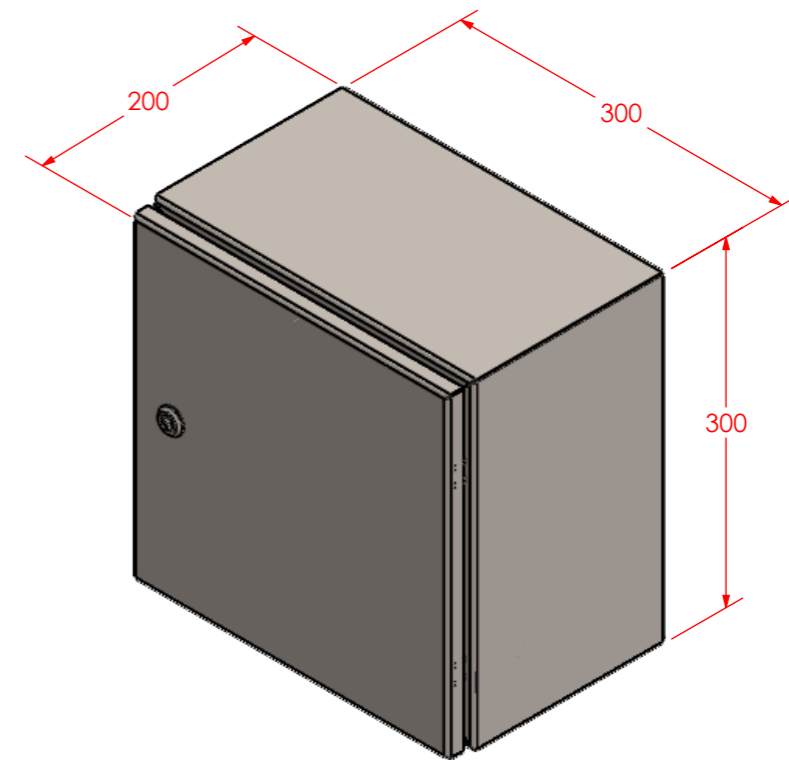
MOUNTING PLATE



BOTTOM VIEW



SECTION A-A



MATERIAL
 BODY AND DOOR: 1.2MM 316SS
 MOUNTING PLATE: 1.5MM GALVANISD STEEL

	DATE	01/04/2024	300X300X200 STAINLESS STEEL ENCLOSURE	
	DRAWN	E.B		
	REV	A		
ALL DIMENSIONS ARE IN MM	WEIGHT	6 KG	OSS303020	A3
MATERIAL: 316 STAINLESS STEEL		NOT TO SCALE	SHEET 4 OF 4	