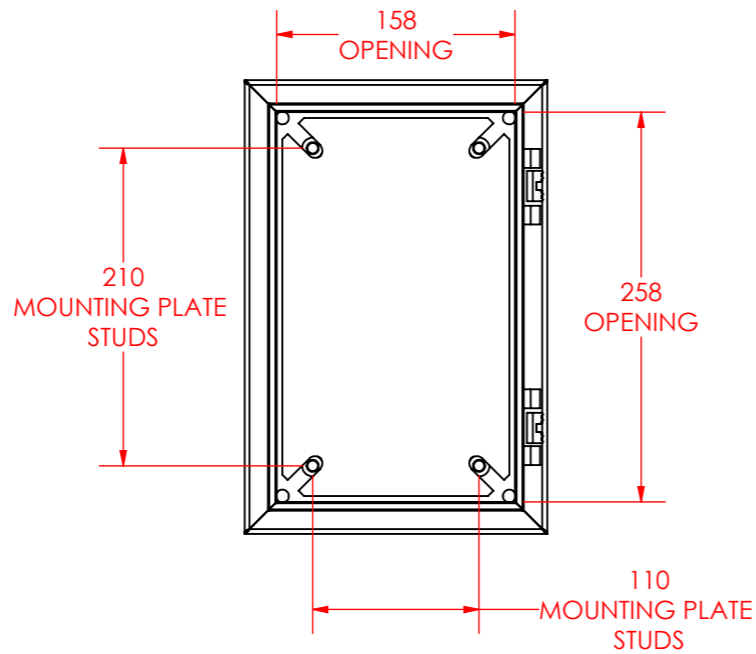
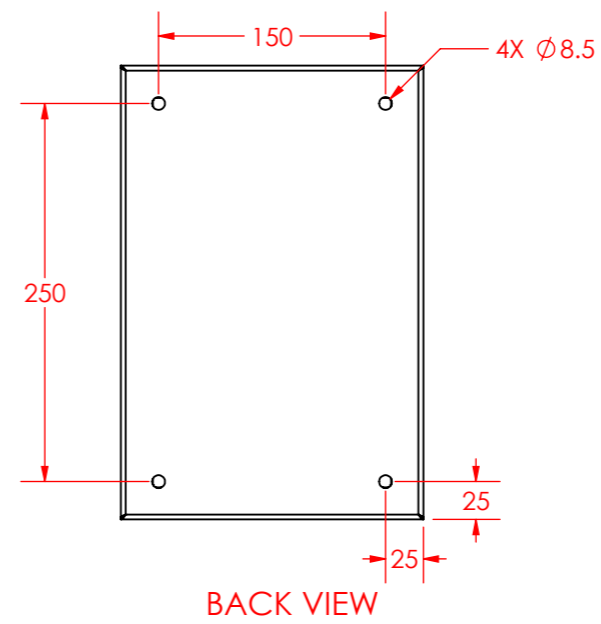


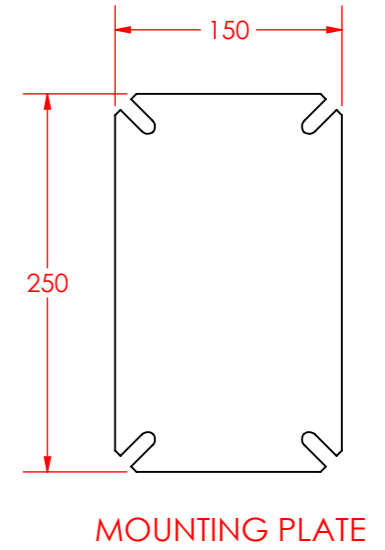
FRONT VIEW



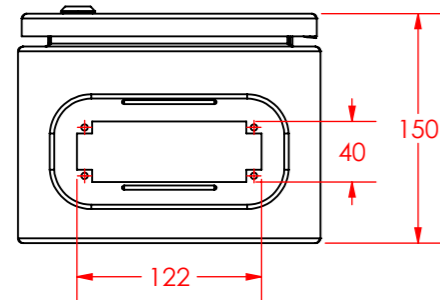
FRONT VIEW WITHOUT DOOR



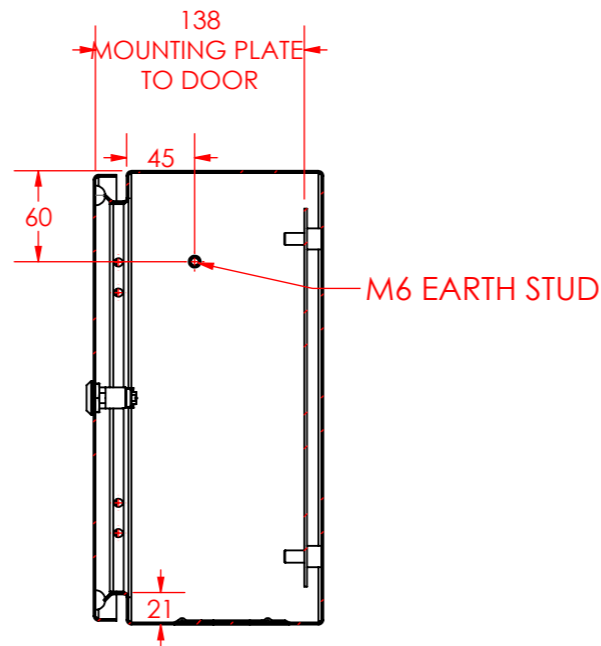
BACK VIEW



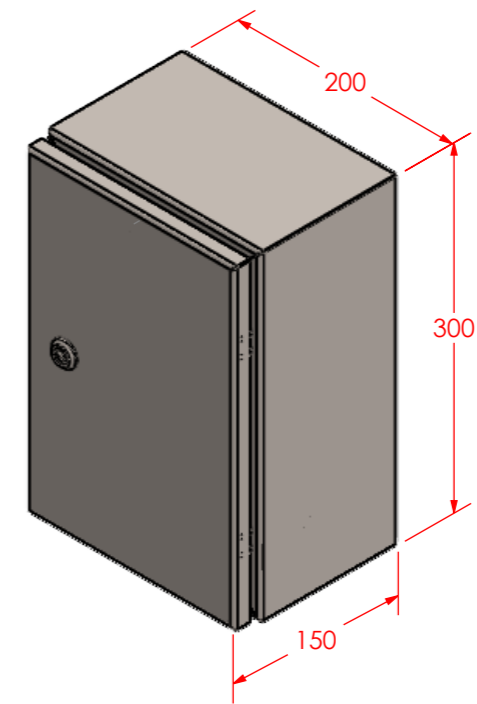
MOUNTING PLATE



BOTTOM VIEW



SECTION A-A



MATERIAL
 BODY AND DOOR: 1.2MM 316SS
 MOUNTING PLATE: 1.5MM GALVANISD STEEL

	DATE	01/04/2024	300X200X150 STAINLESS STEEL ENCLOSURE		
	DRAWN	E.B			
	REV	A			
ALL DIMENSIONS ARE IN MM		WEIGHT	4.2 KG	OSS302015	A3
MATERIAL: 316 STAINLESS STEEL		NOT TO SCALE			