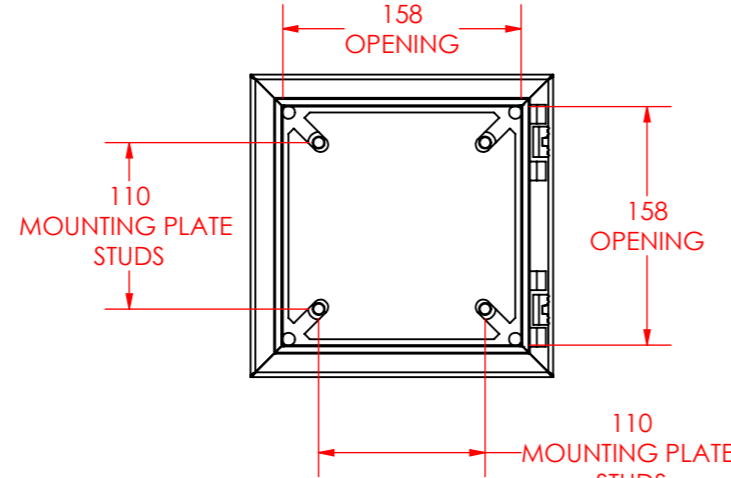
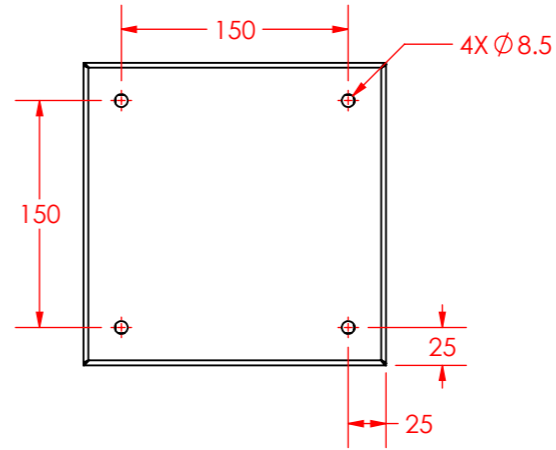


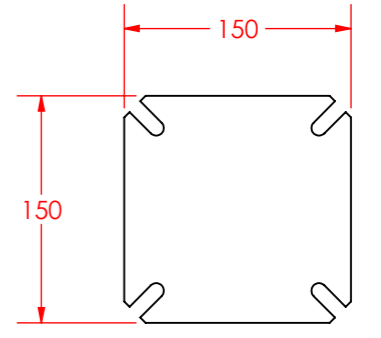
FRONT VIEW



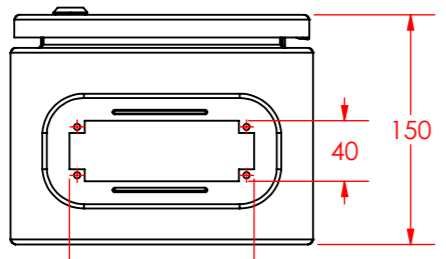
FRONT VIEW WITHOUT DOOR



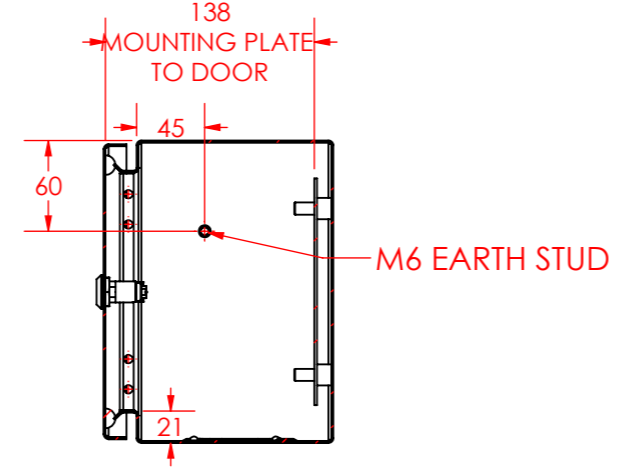
BACK VIEW



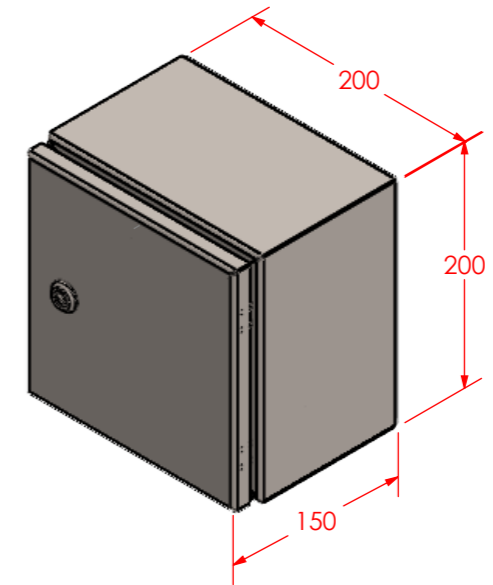
MOUNTING PLATE



BOTTOM VIEW



SECTION A-A



MATERIAL
 BODY AND DOOR: 1.2MM 316SS
 MOUNTING PLATE: 1.5MM GALVANISD STEEL

	DATE	01/04/2024	200X200X150 STAINLESS STEEL ENCLOSURE	
	DRAWN	E.B		
	REV	A		
ALL DIMENSIONS ARE IN MM		WEIGHT 3 KG	OSS202015	
MATERIAL: 316 STAINLESS STEEL		NOT TO SCALE	SHEET 1 OF 1	

A3