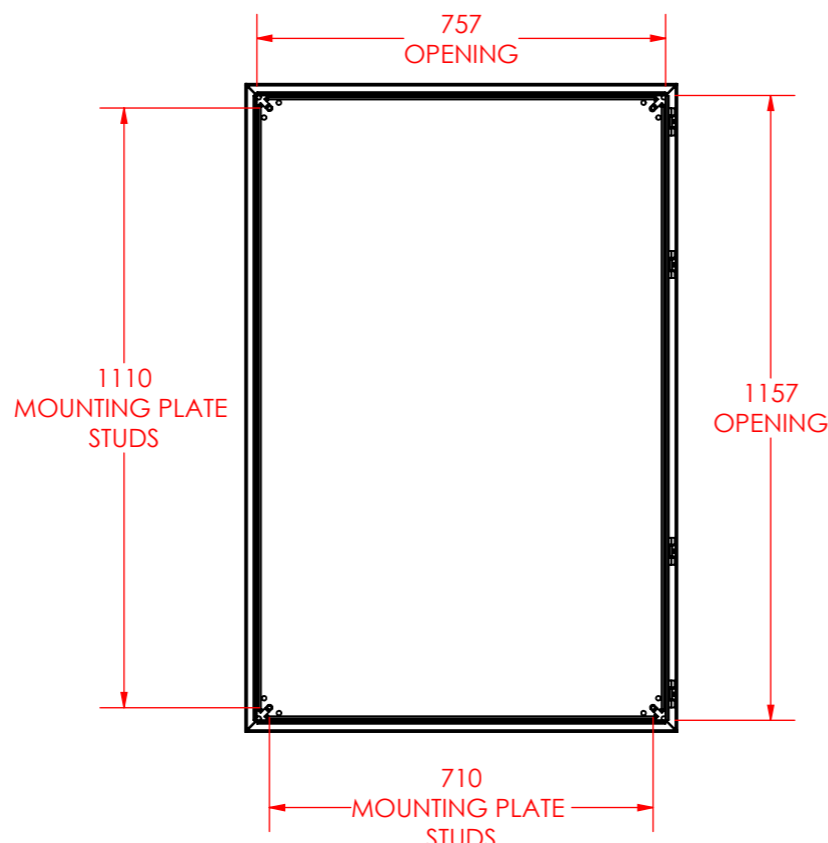
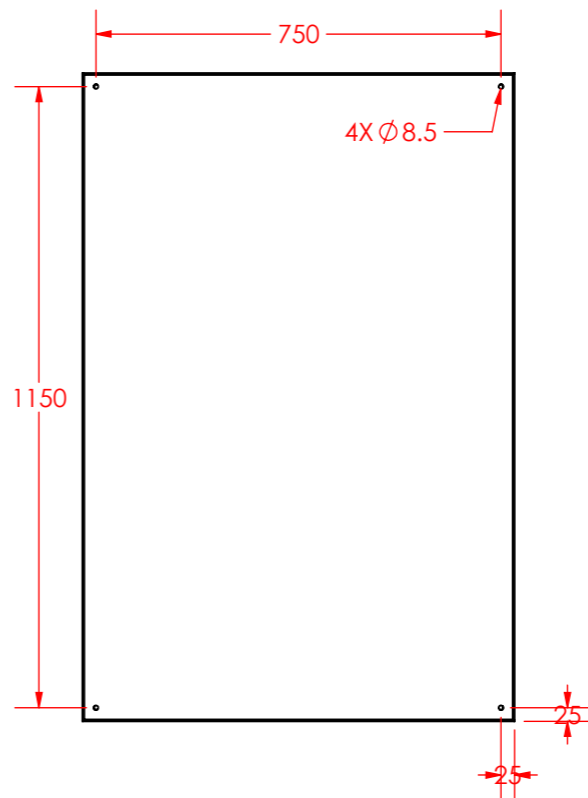


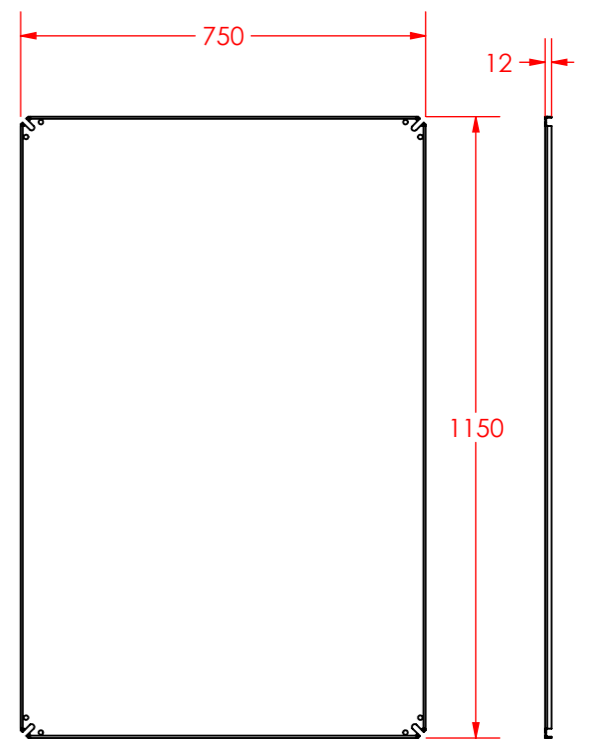
FRONT VIEW



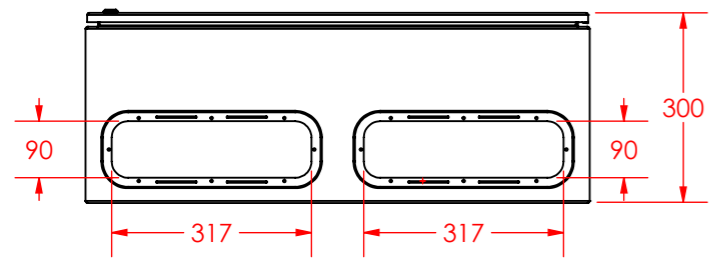
FRONT VIEW WITHOUT DOOR



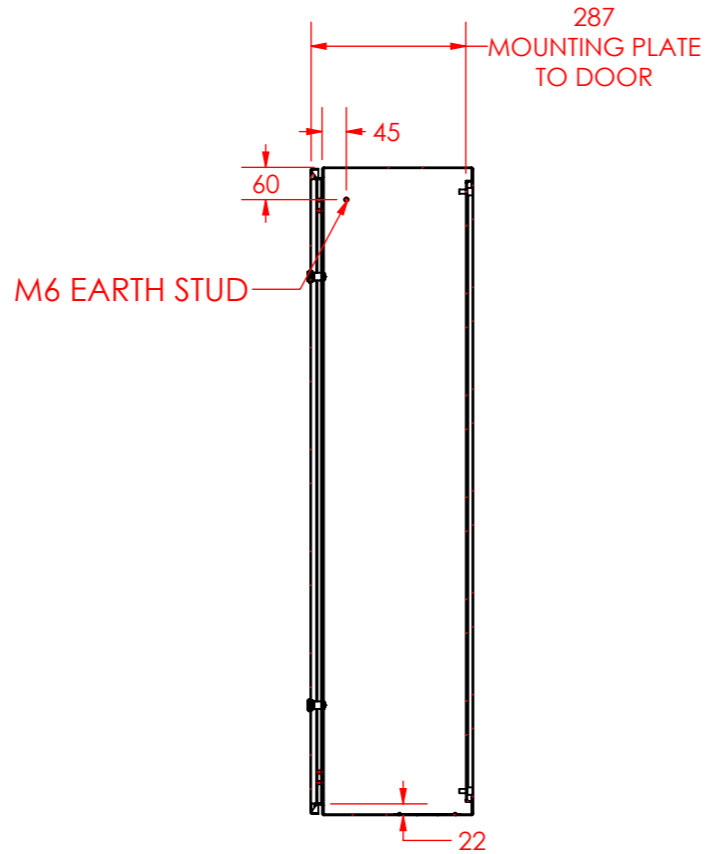
BACK VIEW



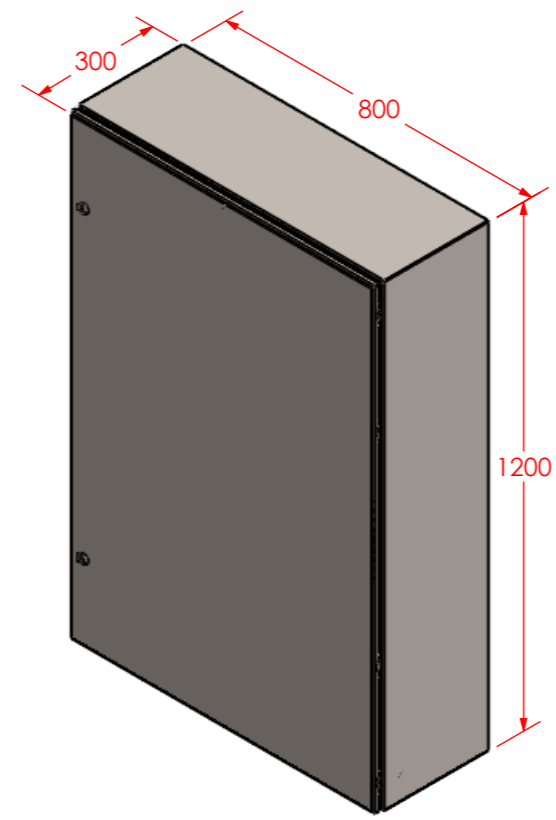
MOUNTING PLATE



BOTTOM VIEW



SECTION A-A SCALE 1 : 14



MATERIAL  
 BODY AND DOOR: 1.5MM 316SS  
 MOUNTING PLATE: 2MM GALVANISED STEEL

	DATE	01/04/2024	1200x800x300 STAINLESS STEEL ENCLOSURE		
	DRAWN	E.B			
	REV	A			
ALL DIMENSIONS ARE IN MM		WEIGHT	52 KG	OSS1208030	A3
MATERIAL: 316 STAINLESS STEEL		NOT TO SCALE			