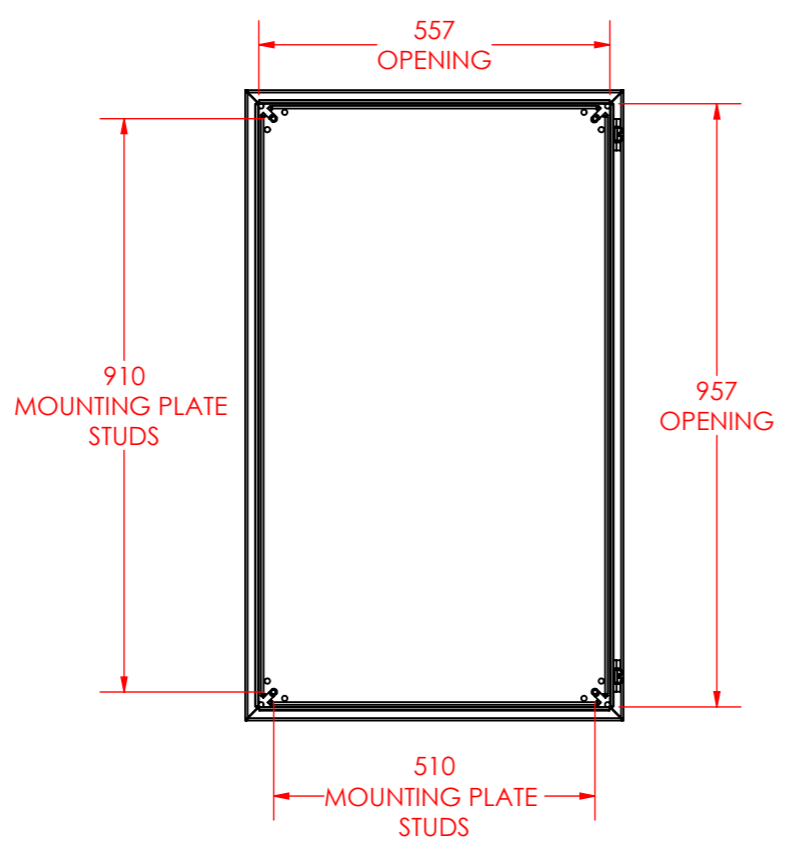
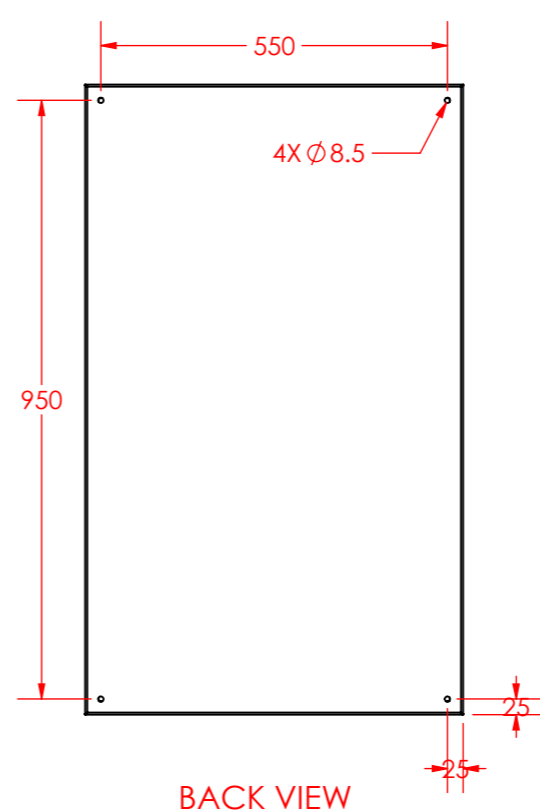


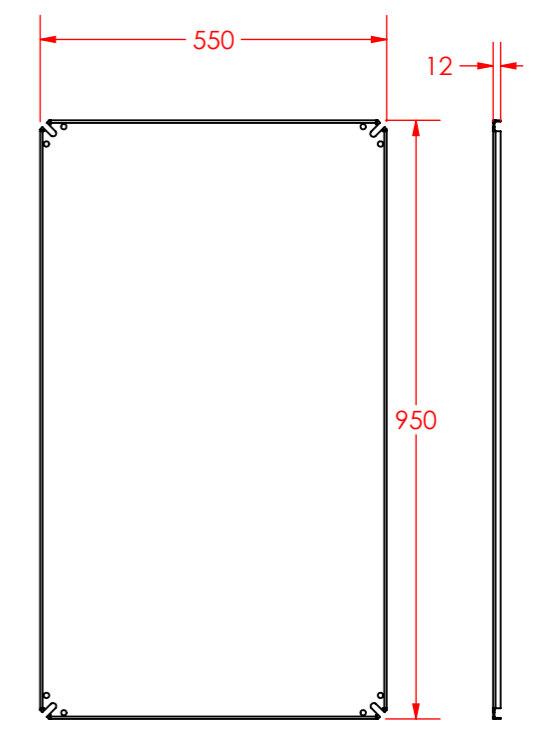
FRONT VIEW



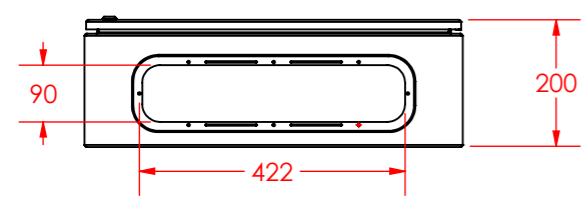
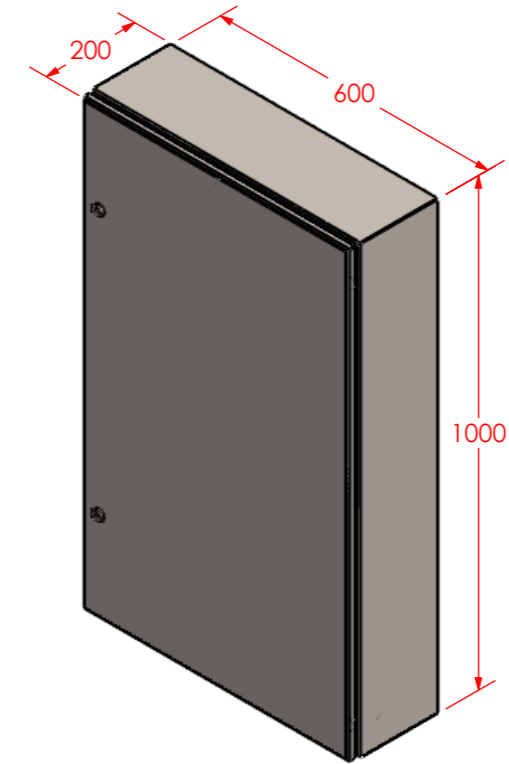
FRONT VIEW WITHOUT DOOR



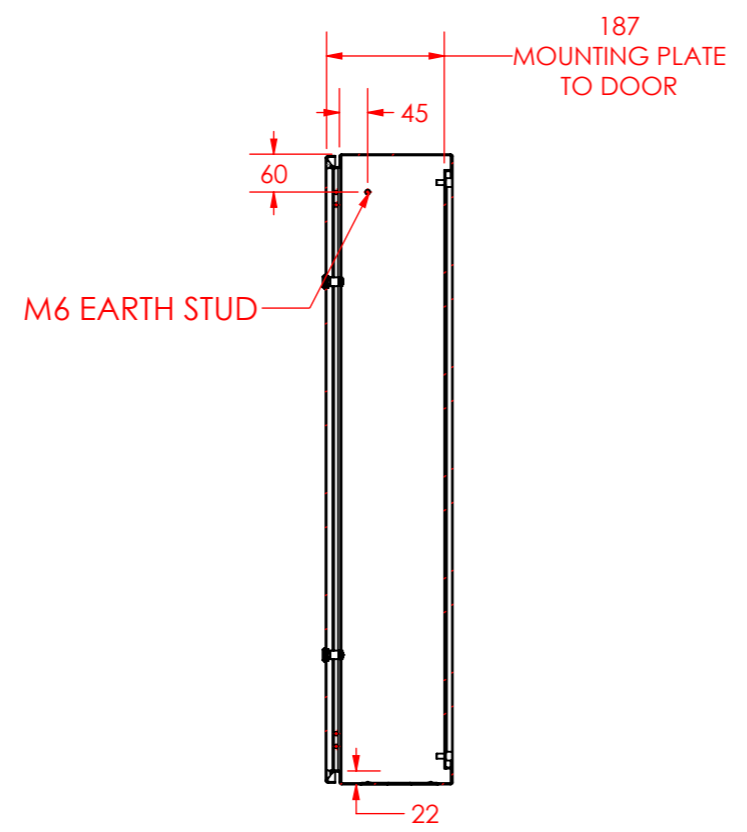
BACK VIEW



MOUNTING PLATE



BOTTOM VIEW



SECTION A-A SCALE 1 : 12

MATERIAL
 BODY AND DOOR: 1.5MM 316SS
 MOUNTING PLATE: 2MM GALVANISED STEEL

	DATE	01/04/2024	1000x600x200 STAINLESS STEEL ENCLOSURE	
	DRAWN	E.B		
	REV	A		
ALL DIMENSIONS ARE IN MM		WEIGHT 32 KG	OSS1006020	
MATERIAL: 316 STAINLESS STEEL		NOT TO SCALE	SHEET 14 OF 14	

A3