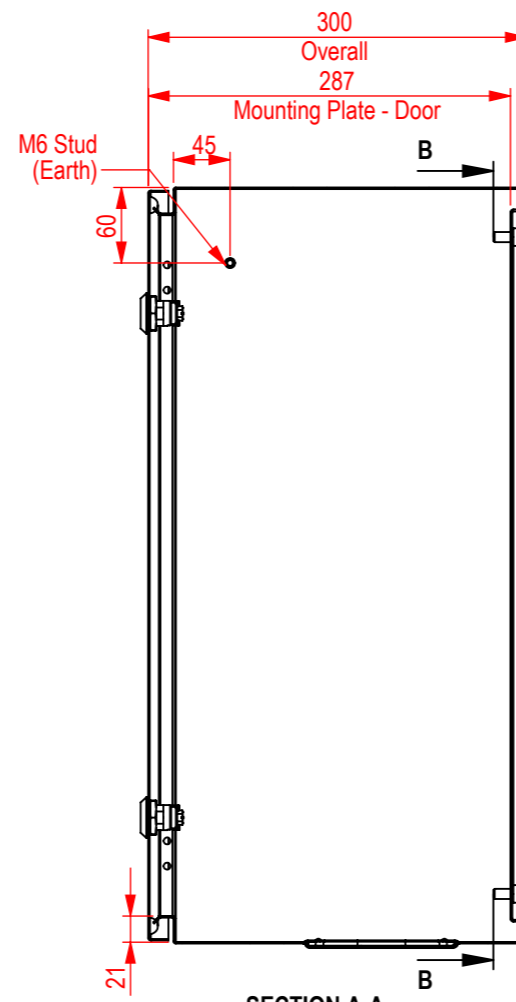
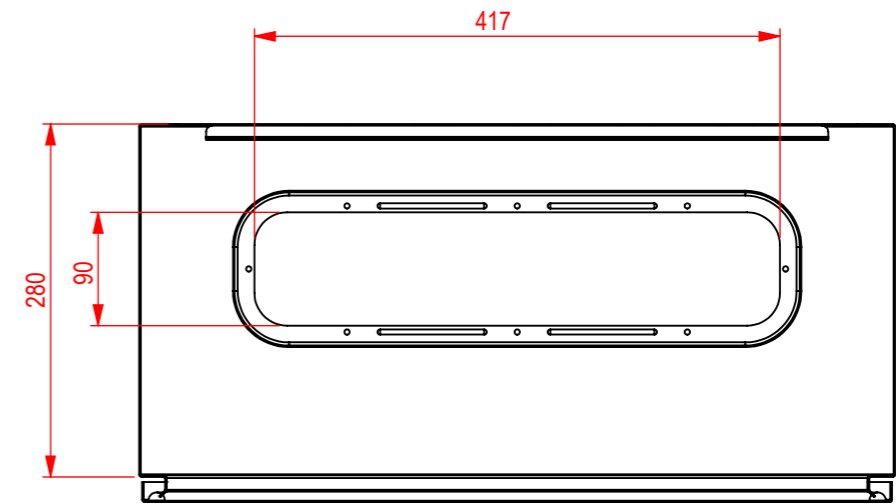
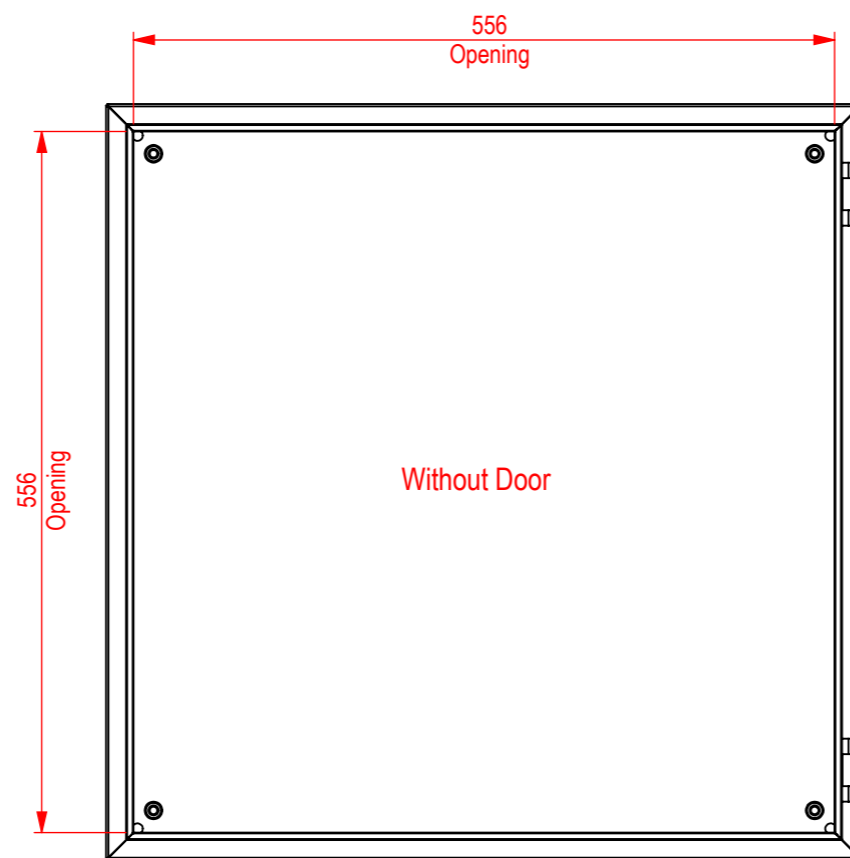
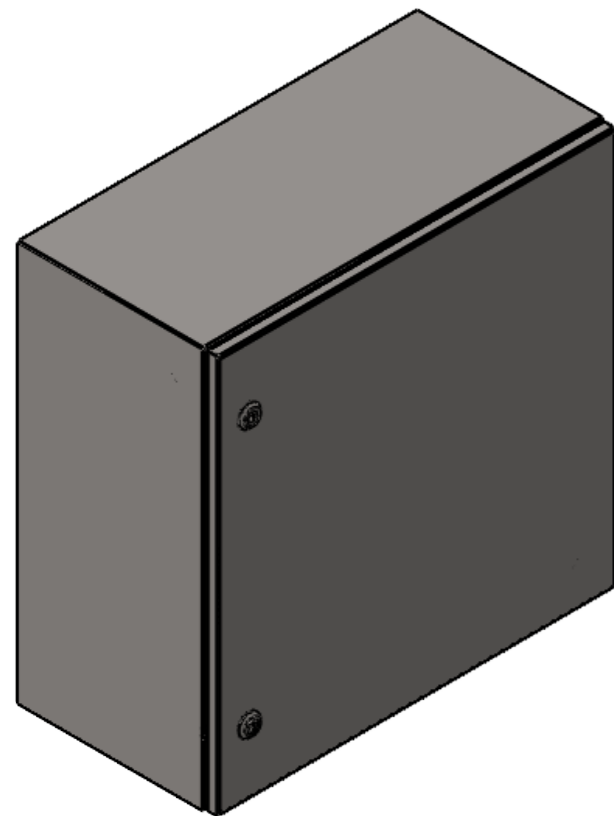
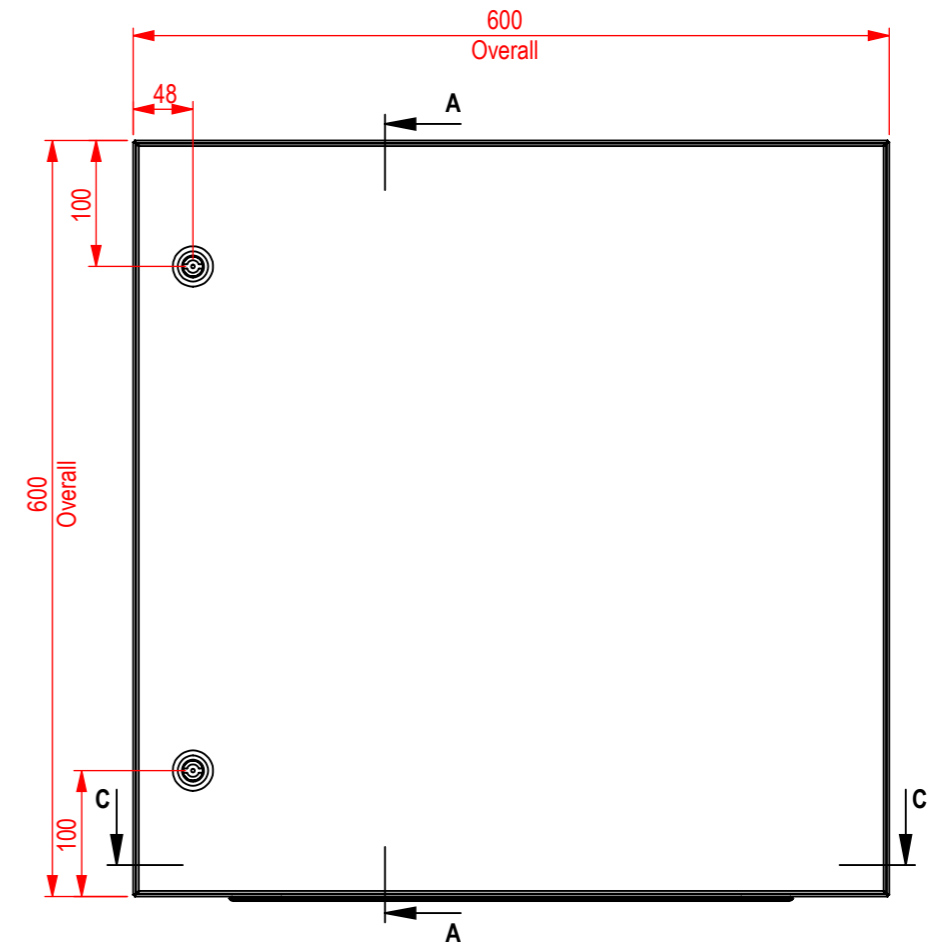


SECTION B-B



SECTION A-A



SECTION C-C

Material:
Body & Door - Galvanised Sheet 1.2mm Thick
Mounting Plate - Galvanised Sheet 1.5mm Thick

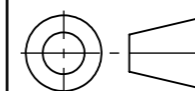
Company Confidential

This drawing and any information or descriptive material set out on it are the confidential and copyright property of Elecron Baal. © and MUST NOT BE DISCLOSED, COPIED, LOANED in whole or part or used for any purpose without the written permission of *Elecron Baal*.



2 / 6 Cary Grove Minto NSW 2566, Australia
Tel. No: +61 2 72301357
email: info@elecronbaal.com.au
Website : https://elecronbaal.com.au

Projection: Third Angle



All Dimensions are in mm

Drawn: KS	Description: 600 x 600 x 300 Enclosure			
Date: 17/01/2025	Dwg No: OS606030			
Checked: BA	Material: Galvanized Steel	Weight: 19.84 kg		
Issued on: 20/01/2025	Revision: A	Scale: NTS	A3	Sheet: 1 / 1